

Service
Service
Service



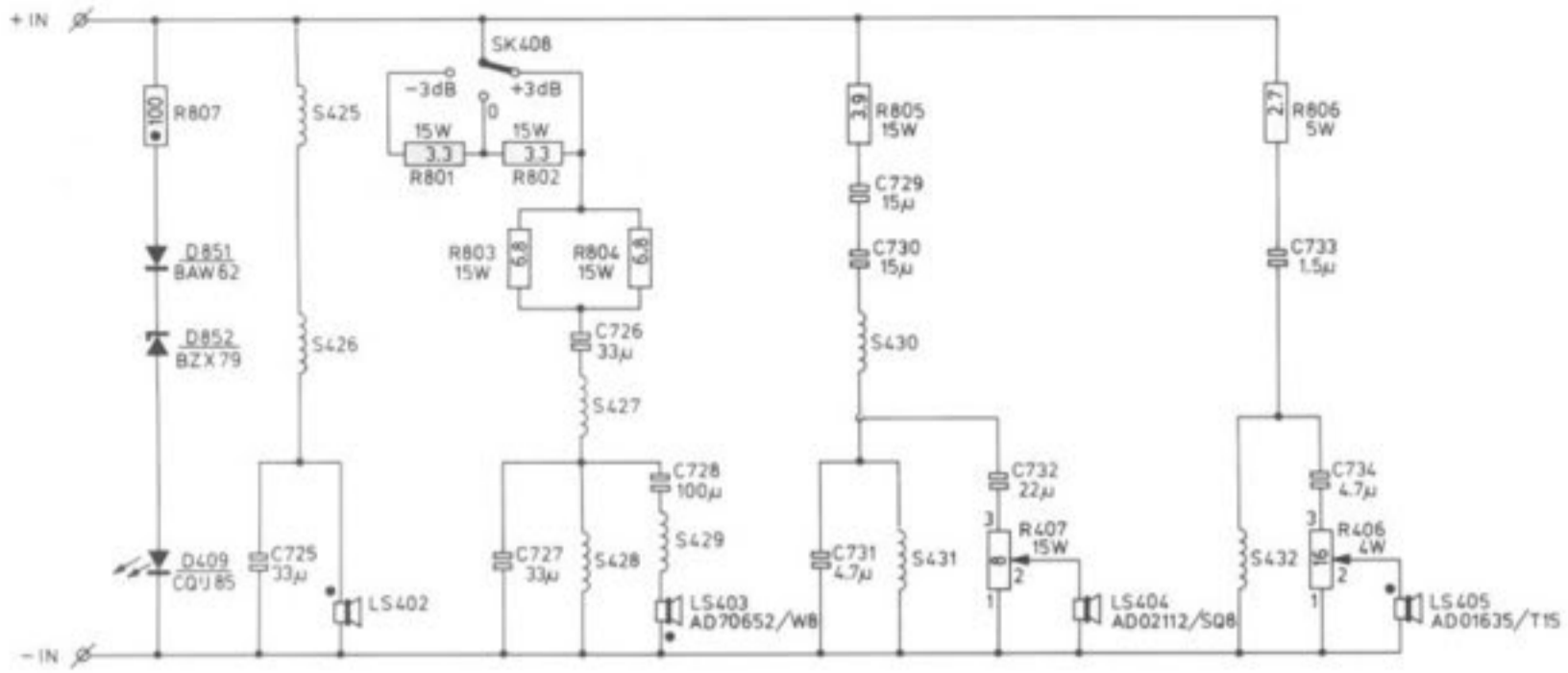
This document was downloaded from
www.mfbfreaks.com

Collecting vintage Philips Audio and more!

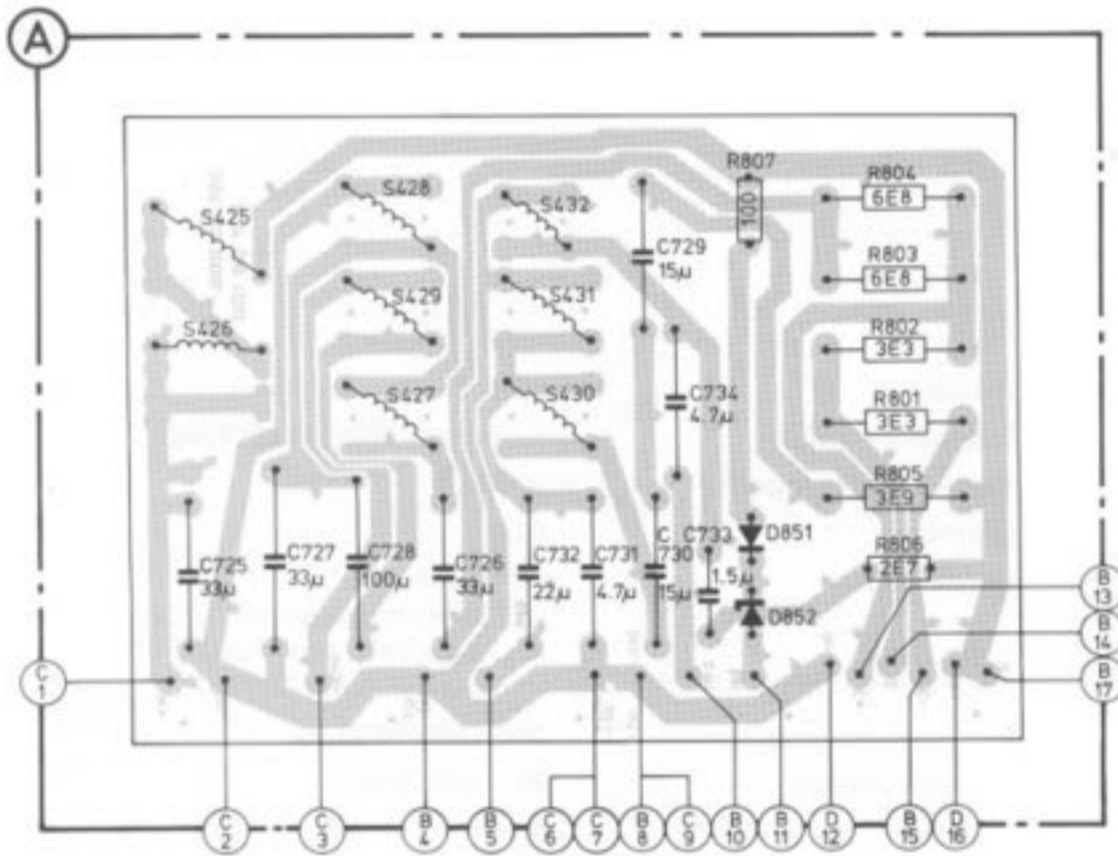
22078A12

Service Manual

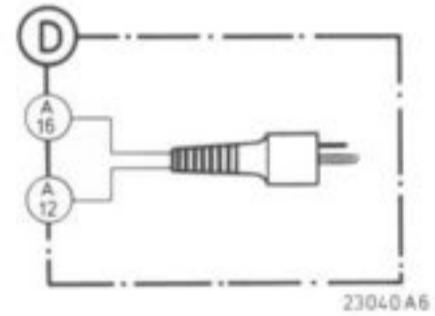
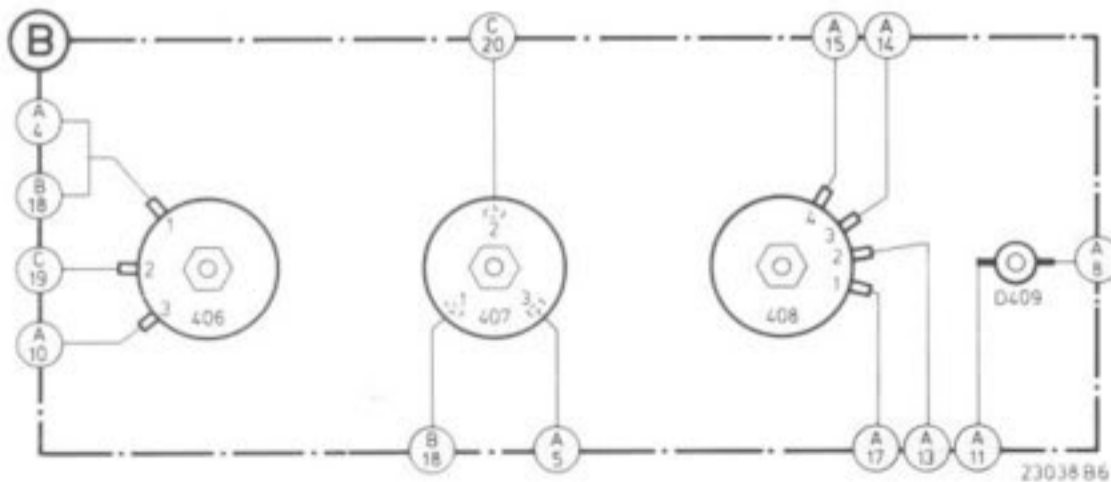
| | |
|-------------------------|---|
| Volume | : 76 litres |
| External dimensions | : wxhxd = 1020x370x315 mm |
| Power handling capacity | : 200 Watt |
| Impedance | : 8 Ω |
| Loudspeakers | : 12" woofer 7" lower midrange AD70652/W8 2" upper midrange AD02112/SQ8 1" tweeter AD01635/T15 |
| Cross-over frequencies | : 350/1500/5000 Hz |
| Frequency range | : 25 - 22.000 Hz |
| Resonance frequency | : 36 Hz |
| Speaker level controls: | |
| Lower midrange level | : -3 dB, 0 dB, +3 dB switch control |
| Upper midrange level | : -3 dB to +3 dB continuous control |
| Tweeter level | : -3 dB to +3 dB continuous control |

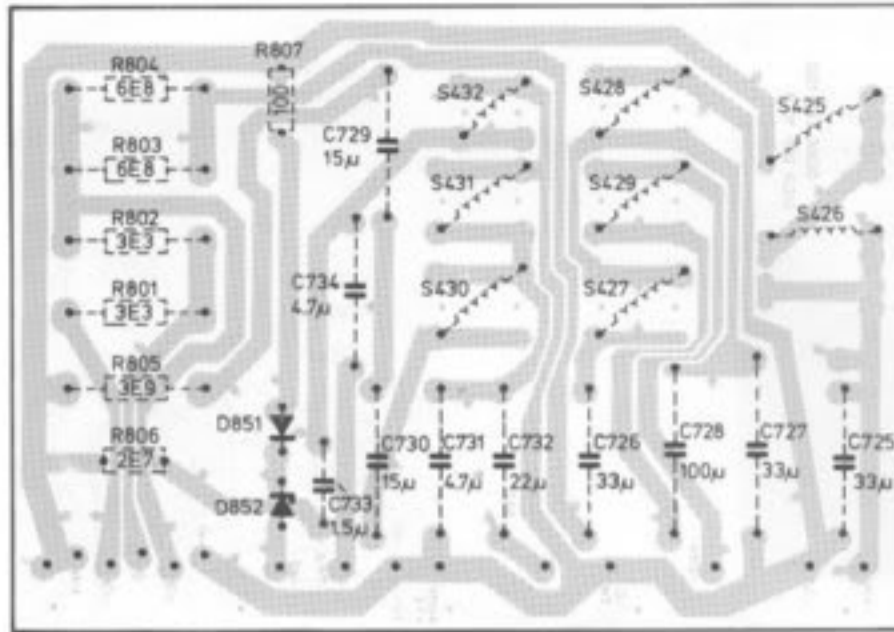


22 045 C12

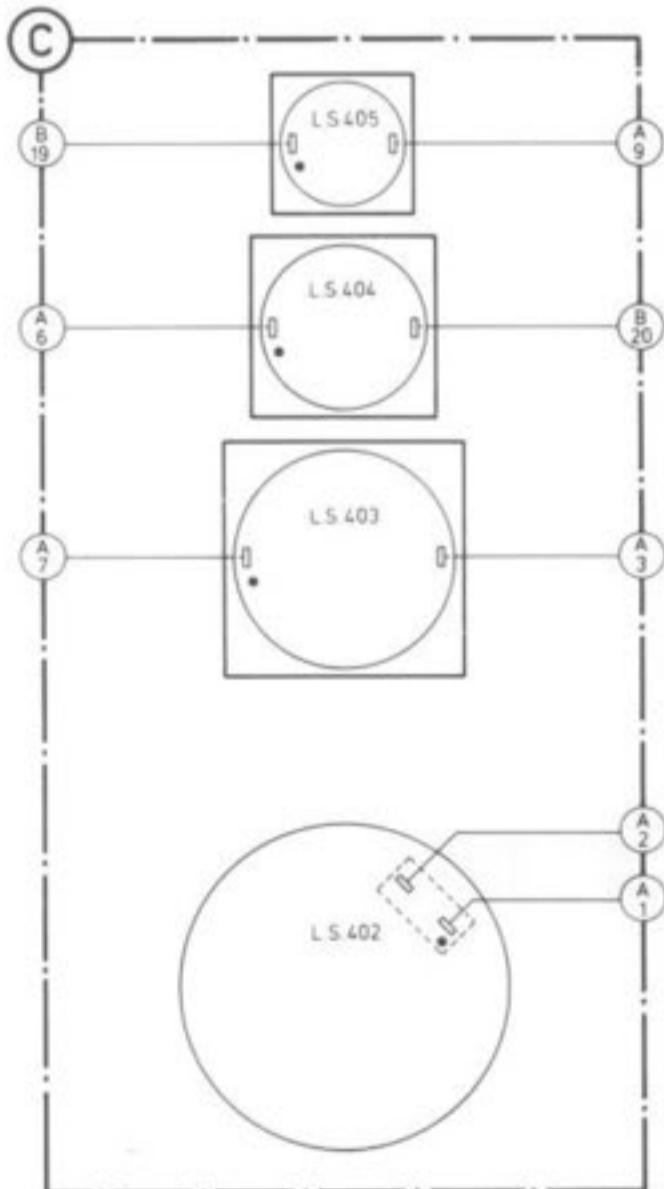


23 126B12



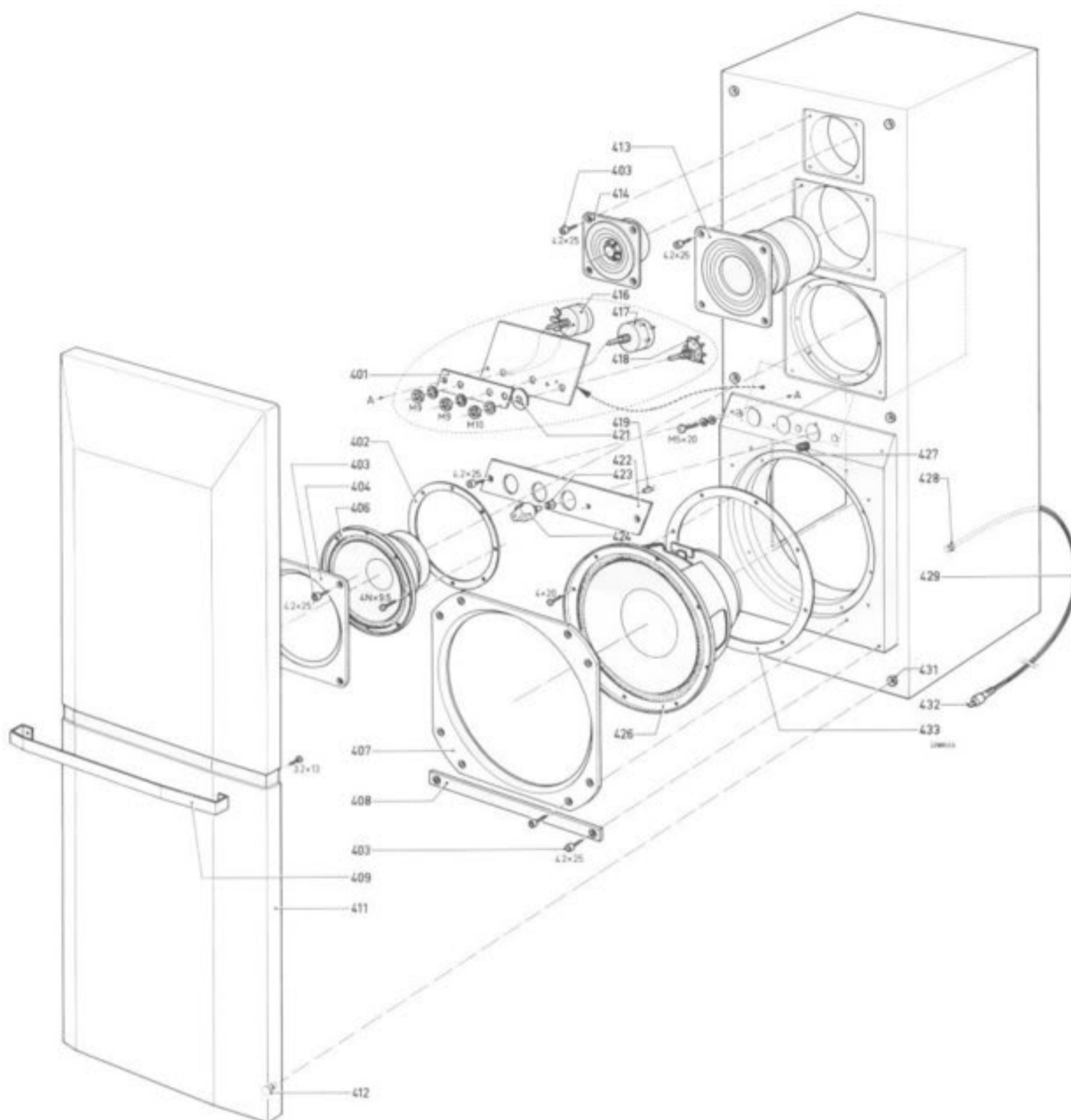


23 127B12



23039 B6

| | | |
|------------------------|--------------------------|----------------|
| -D- | | |
| 409 | LED CQY85 | 4822 130 31008 |
| 851 | BAW62 | 4822 130 30613 |
| 852 | BZX79/C68 | 4822 130 30864 |
| -C- | | |
| 725÷727 | Bip. elco 33 µF - 63 V | 4822 124 21069 |
| 728 | Bip. elco 100 µF - 25 V | 4822 124 21071 |
| 729,730 | Bip. elco 15 µF - 63 V | 4822 124 20752 |
| 731,734 | Bip. elco 4,7 µF - 63 V | 4822 124 20748 |
| 732 | Bip. elco 22 µF - 63 V | 4822 124 20753 |
| 733 | Poly cap. 1,5 µF - 100 V | 4822 121 40452 |
| -R- | | |
| 406 | Potm. 16E - 4 W | 4822 103 30104 |
| 407 | Potm. 8E - 15 W | 4822 103 30105 |
| 801,802 | Wire W. 3E3 - 15 W | 4822 113 80271 |
| 803,804 | Wire W. 6E8 - 15 W | 4822 113 80268 |
| 805 | Wire W. 3E9 - 15 W | 4822 113 80237 |
| 806 | Wire W. 2E7 - 5 W | 4822 113 80269 |
| -S- | | |
| 425,426 | 7,5 mH | 4822 157 51168 |
| 427,428 | 2,1 mH | 4822 152 20486 |
| 429 | 0,8 mH | 4822 157 50906 |
| 430,431 | 0,5 mH | 4822 157 50775 |
| 432 | 0,35 mH | 4822 158 10393 |
| -LS- | | |
| 402 | Woofer 12" | 4822 240 60117 |
| 403 | Woofer AD70652/W8 | 4822 240 50142 |
| 404 | Squawker AD02112/SQ8 | 4822 240 50137 |
| 405 | Tweeter AD01635/T15 | 4822 240 70031 |
| -Miscellaneous- | | |
| 408 | Switch | 4822 273 30258 |



401 4822 466 90946
 402 4822 532 51086
 403 4822 502 30217
 404 4822 532 80656
 406 4822 240 50142
 407 4822 532 80657
 408 4822 466 90952
 409 4822 466 90953
 411 4822 466 90963
 412 4822 535 91133

413 4822 240 50137
 414 4822 240 70031
 416 4822 103 30104
 417 4822 103 30105
 418 4822 273 30258
 419 4822 130 31008
 421 4822 532 51178
 422 4822 466 90951
 423 4822 492 60268
 424 4822 413 40949

426 4822 240 60117
 427 4822 462 40415
 428 4822 325 60204
 429 4822 322 20014
 431 4822 325 80192
 432 4822 264 30041
 433 4822 532 80657