

P1-22

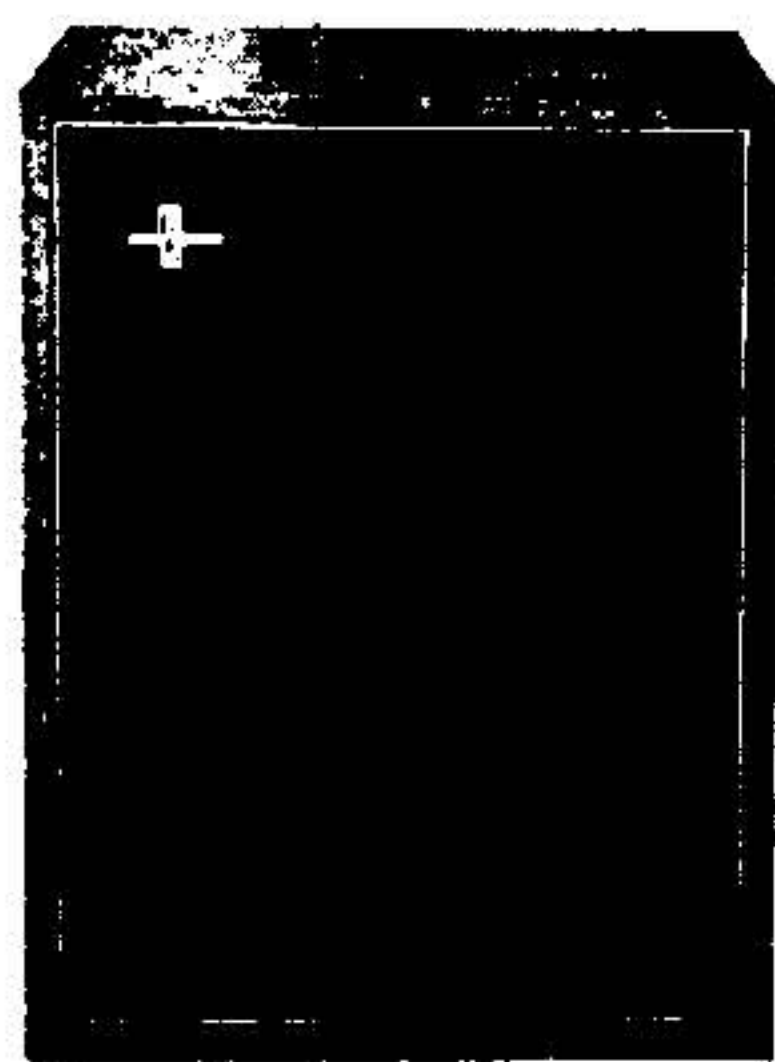
PHILIPS

Hi-Fi 22RH496/00

Service

notes

25 litres
345x460x225 mm

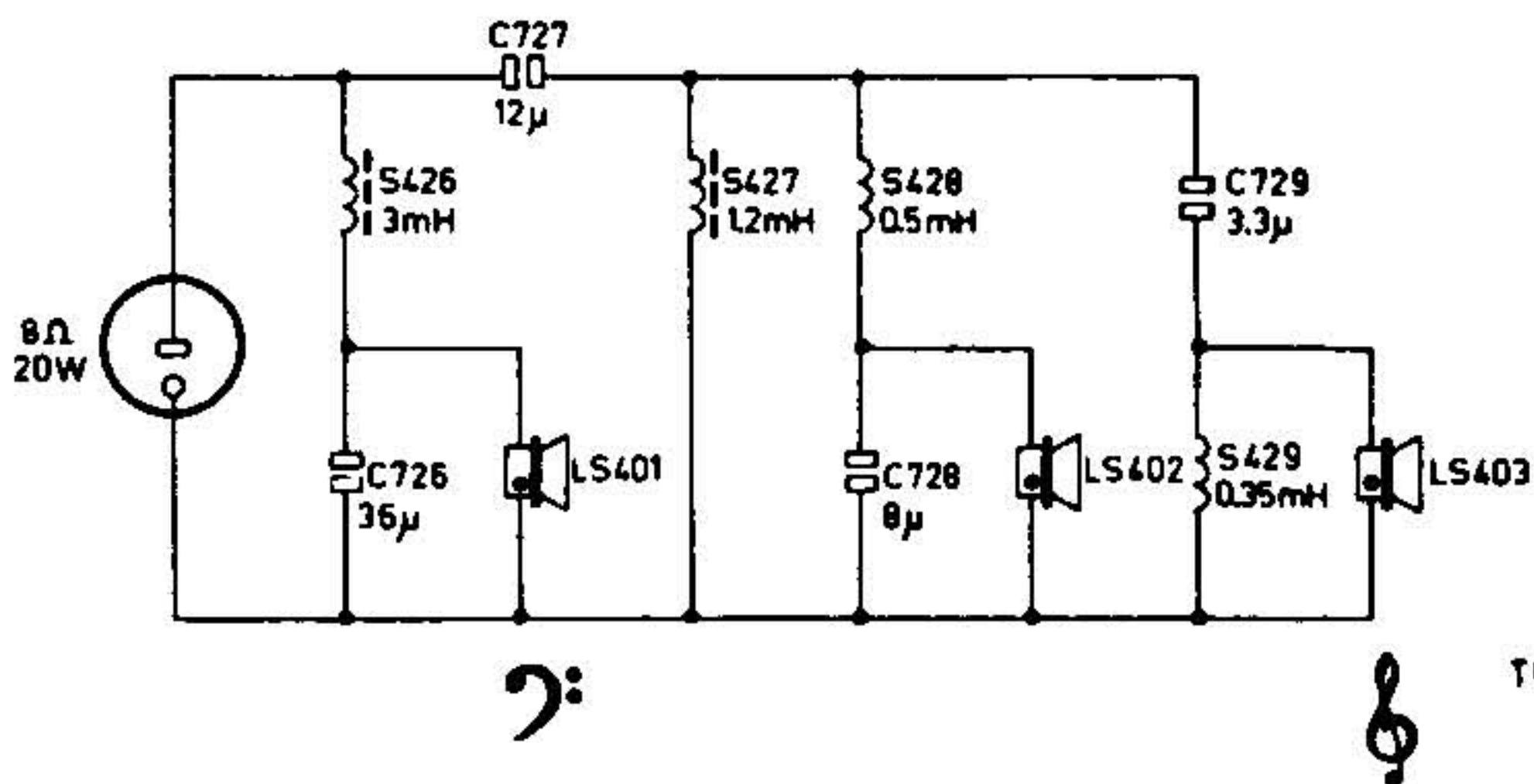
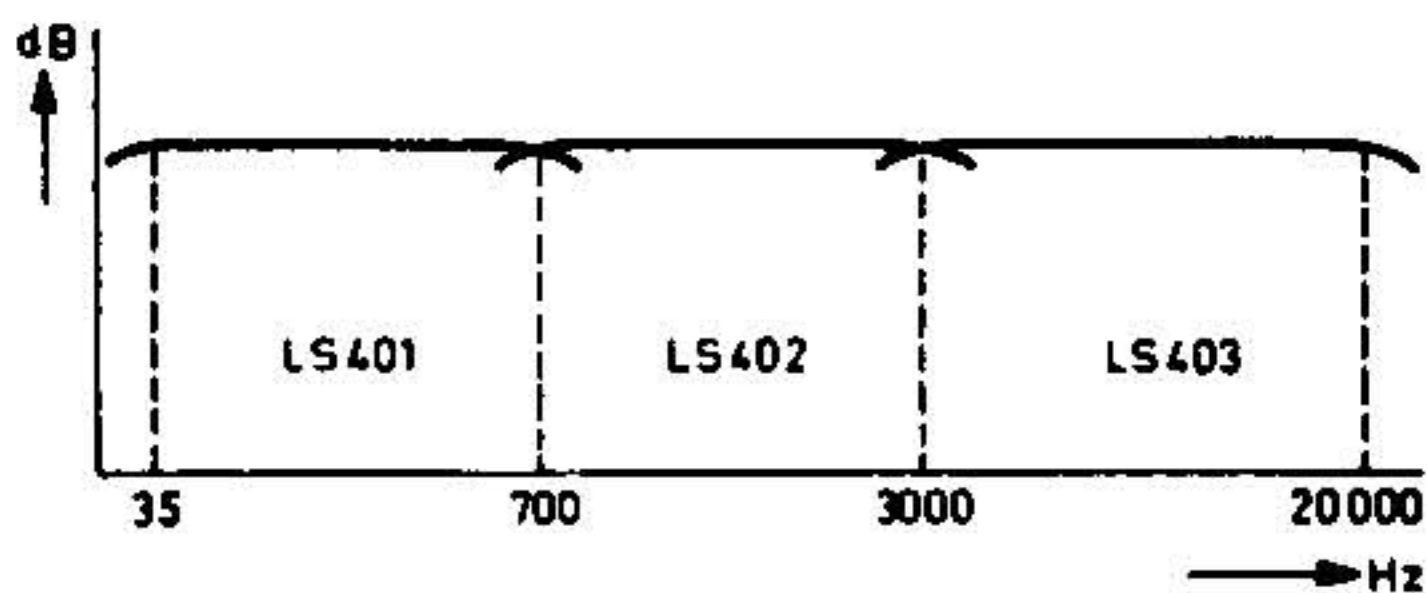


TRA3750

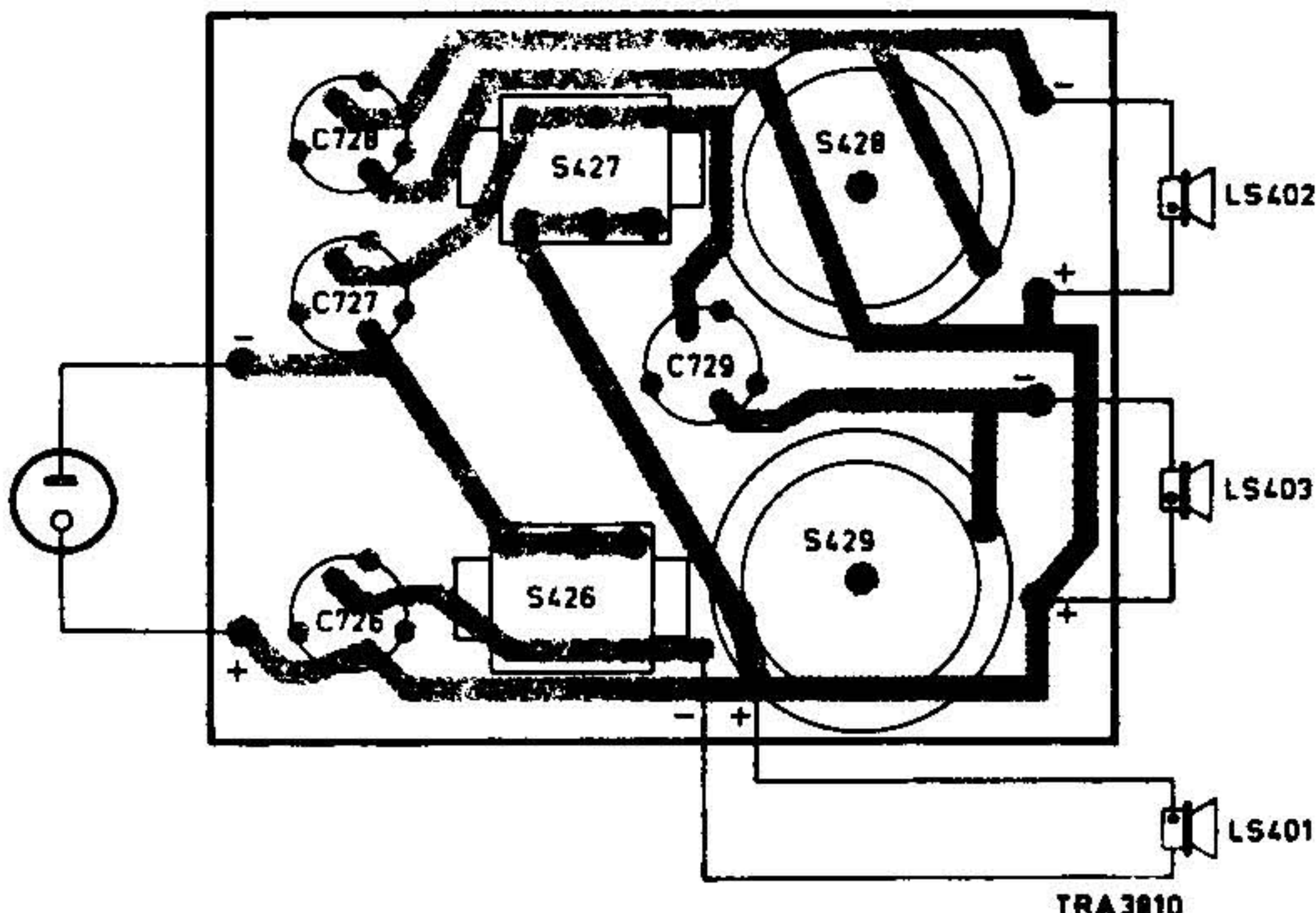
This document was downloaded from

www.mfbfreaks.com

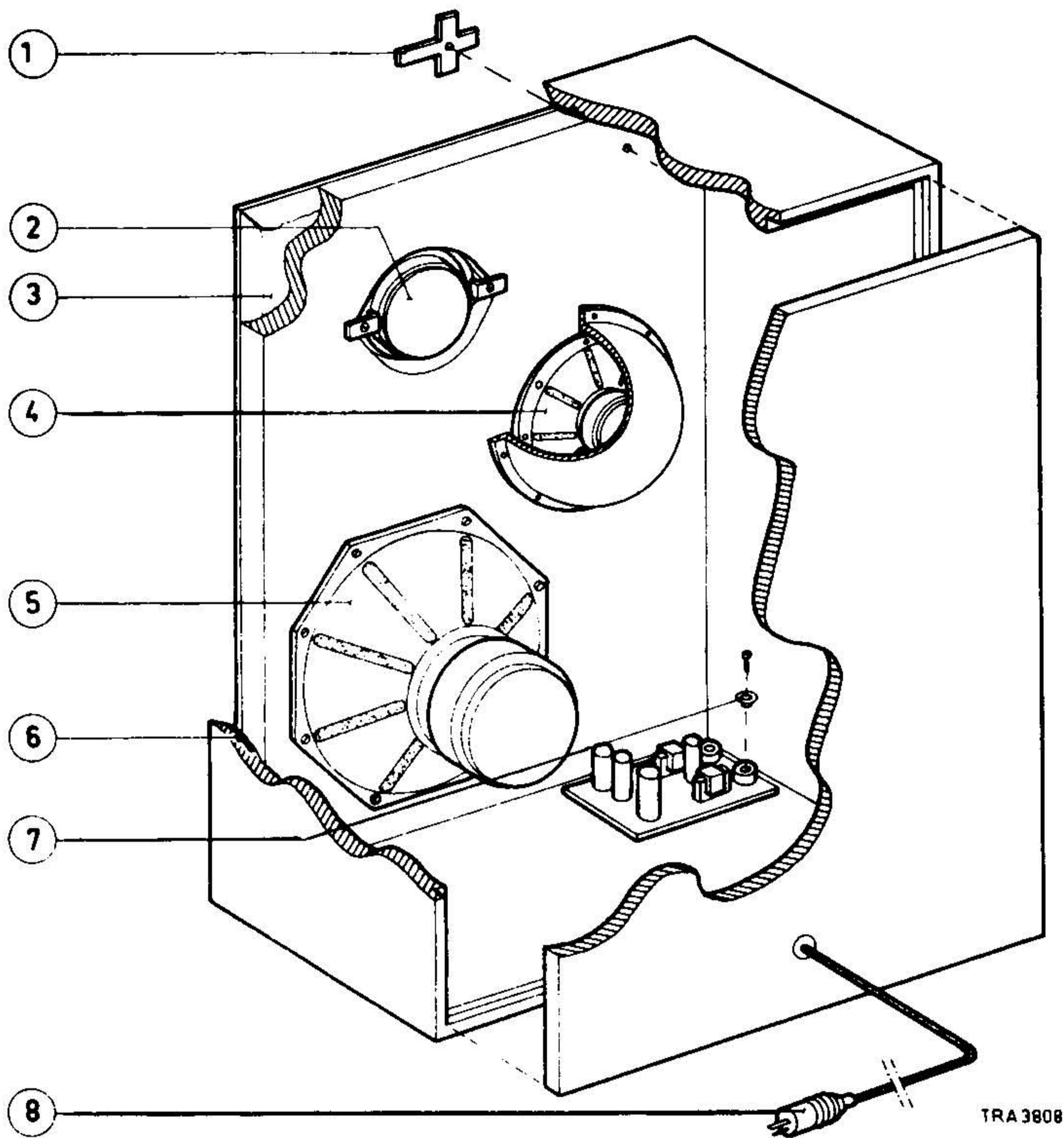
Collecting vintage Philips Audio and more!



TRA 3809



TRA 3810



TRA 3808

①		4822 459 10271
②	LS403 - 8 Ω	4822 240 70004
③		4822 445 30007
④	LS402 - 8 Ω	4822 240 50079
⑤	LS401 - 8 Ω	4822 240 60023
⑥		4822 460 10248
⑦		4822 462 70531
⑧		4822 264 30041

S426	4822 152 20366
S427	4822 152 20367
S428	4822 157 50596
S429	4822 157 50595

—	C726
—	C727
—	C728
—	C729

—00—	4822 124 40077
—00—	4822 124 40076
—00—	4822 124 40102
—00—	4822 124 40103