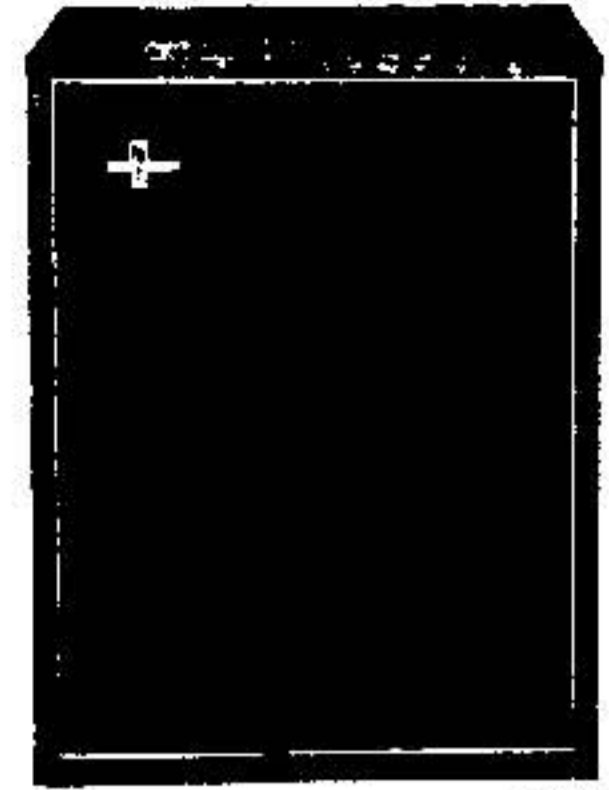


PHILIPS

Service

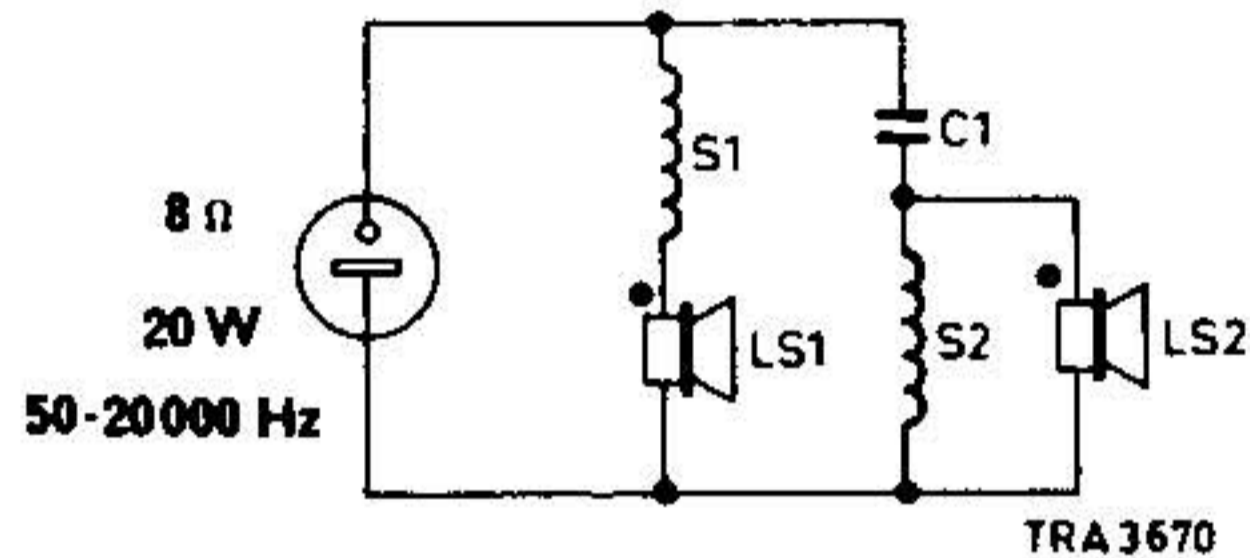
Hi-Fi

22RH493/00 **notes**



15 litres
285x380x210 mm

TRA 3758

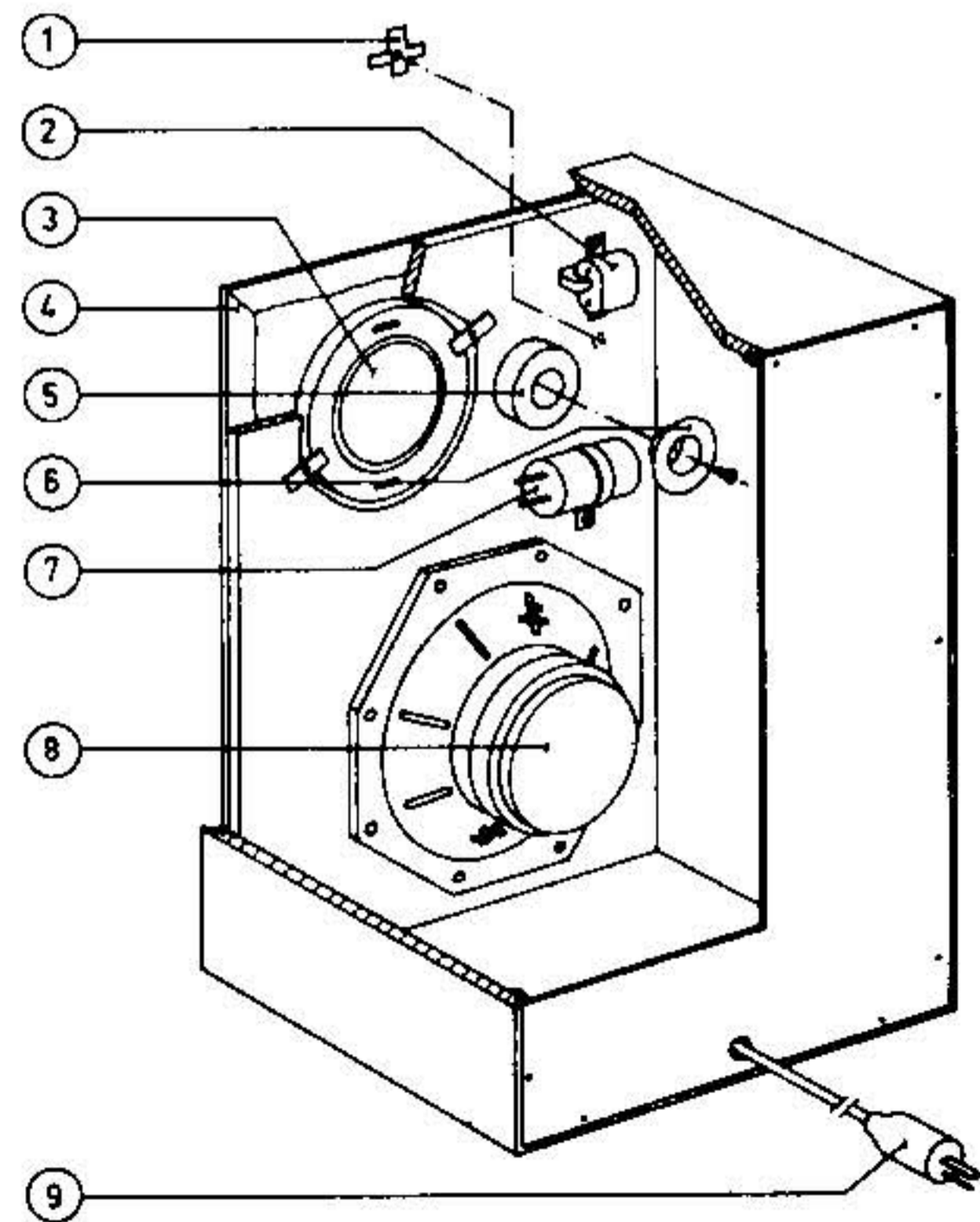


This document was downloaded from

www.mfbfreaks.com

Collecting vintage Philips Audio and more!

①			4822 459 10271
②	S1	2 mH	4822 152 20452
③	LS2	8 Ω	4822 240 70004
④			4822 445 30005
⑤	S2	0,5 mH	4822 152 10075
⑥			4822 404 60053
⑦	C1	8 μ F	4822 124 70193
⑧	LS1	8 Ω	4822 240 60023
⑨			4822 264 30041



TRA 3675