

Service
Service
Service

This document was downloaded from
www.mfbfreaks.com

Collecting vintage Philips Audio and more!



Service Manual

Volume : 17 litres
Volume

Dimensions : 437x285x180 mm
Dimensions

Weight : 5.6 kg
Poids

Rated impedance : 8 Ω
Impédance nominale

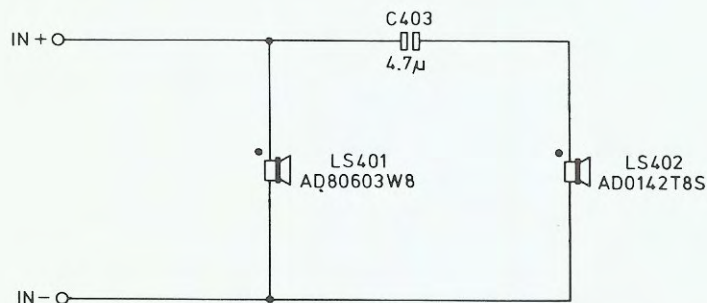
Power handling capacity : 40 W
Capacité de charge

Cross-over frequencies : 3000 Hz
Fréquences de convergence

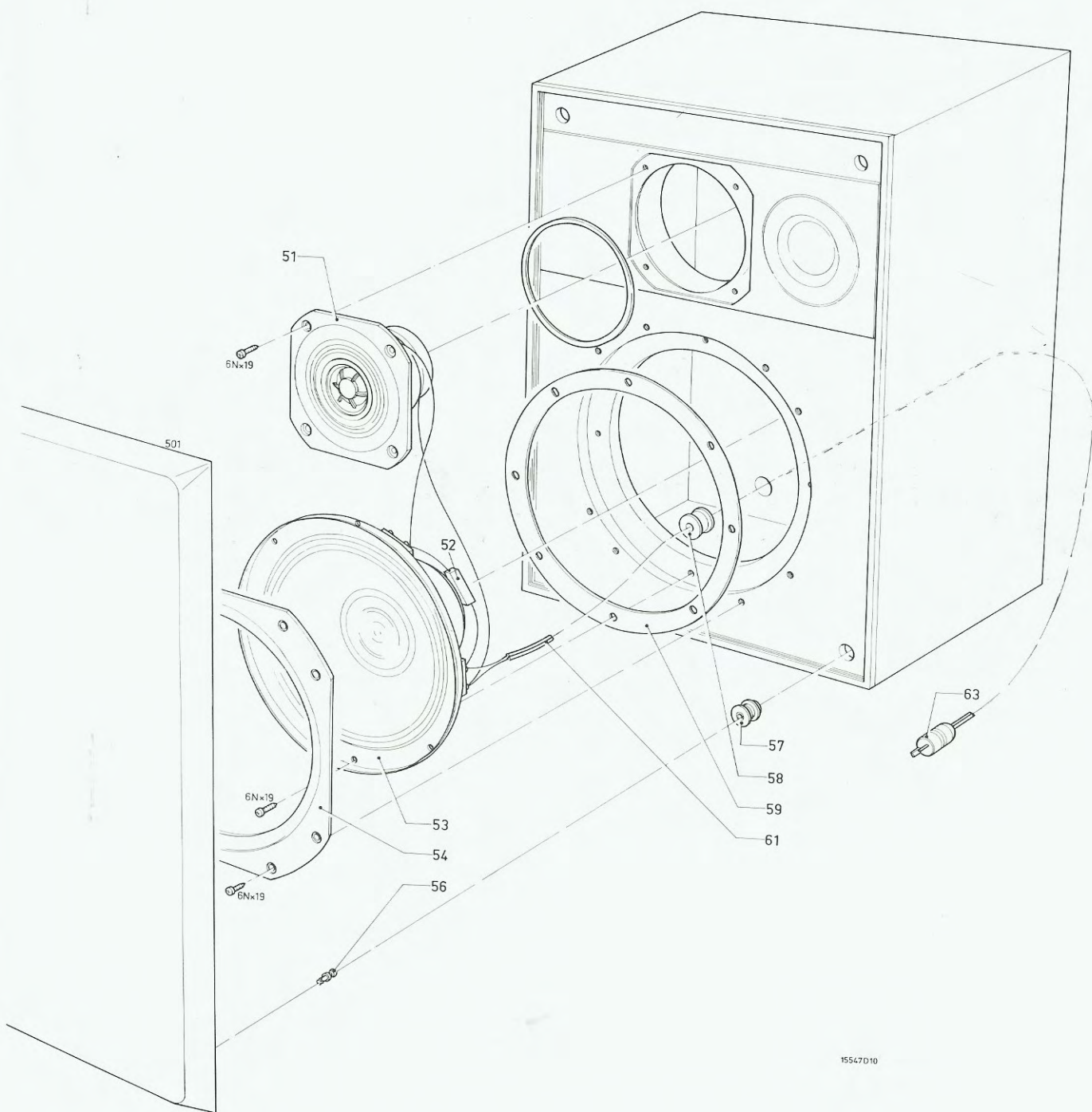
Resonance frequency : 18-88 Hz
Fréquence de résonance

Frequency range : 42-20.000 Hz
Réponse de fréquence

Slope: high-pass : 6 dB/oct.
Pente: passe-haut



17417A12



15547010

- 51 4822 240 70037 - AD0142T8S
- 52 4822 124 20748
- 53 4822 240 60094 - AD80603W
- 54 4822 466 90892
- 55 4822 535 91104
- 56 4822 462 40364
- 57 4822 325 60204
- 58 4822 532 51076
- 59 4822 322 20014 - 100 M
- 61 4822 264 30041