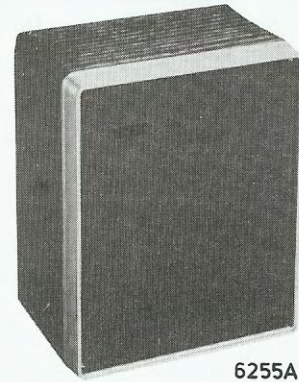


Service  
Service  
Service

This document was downloaded from  
[www.mfbfreaks.com](http://www.mfbfreaks.com)

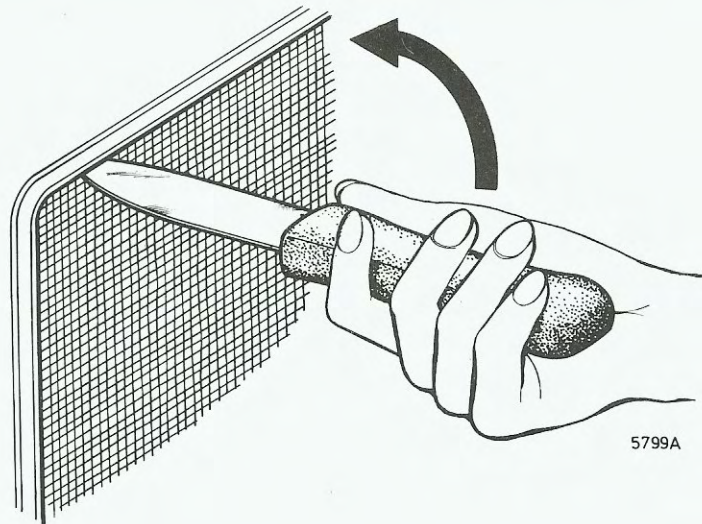
Collecting vintage Philips Audio and more!



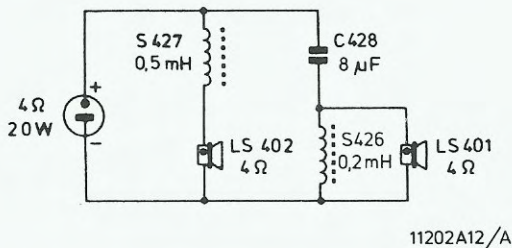
6255A

10 Litres  
240x340x155 mm

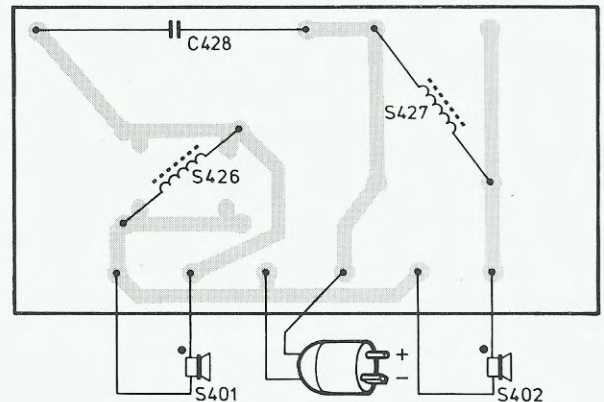
# Service Manual



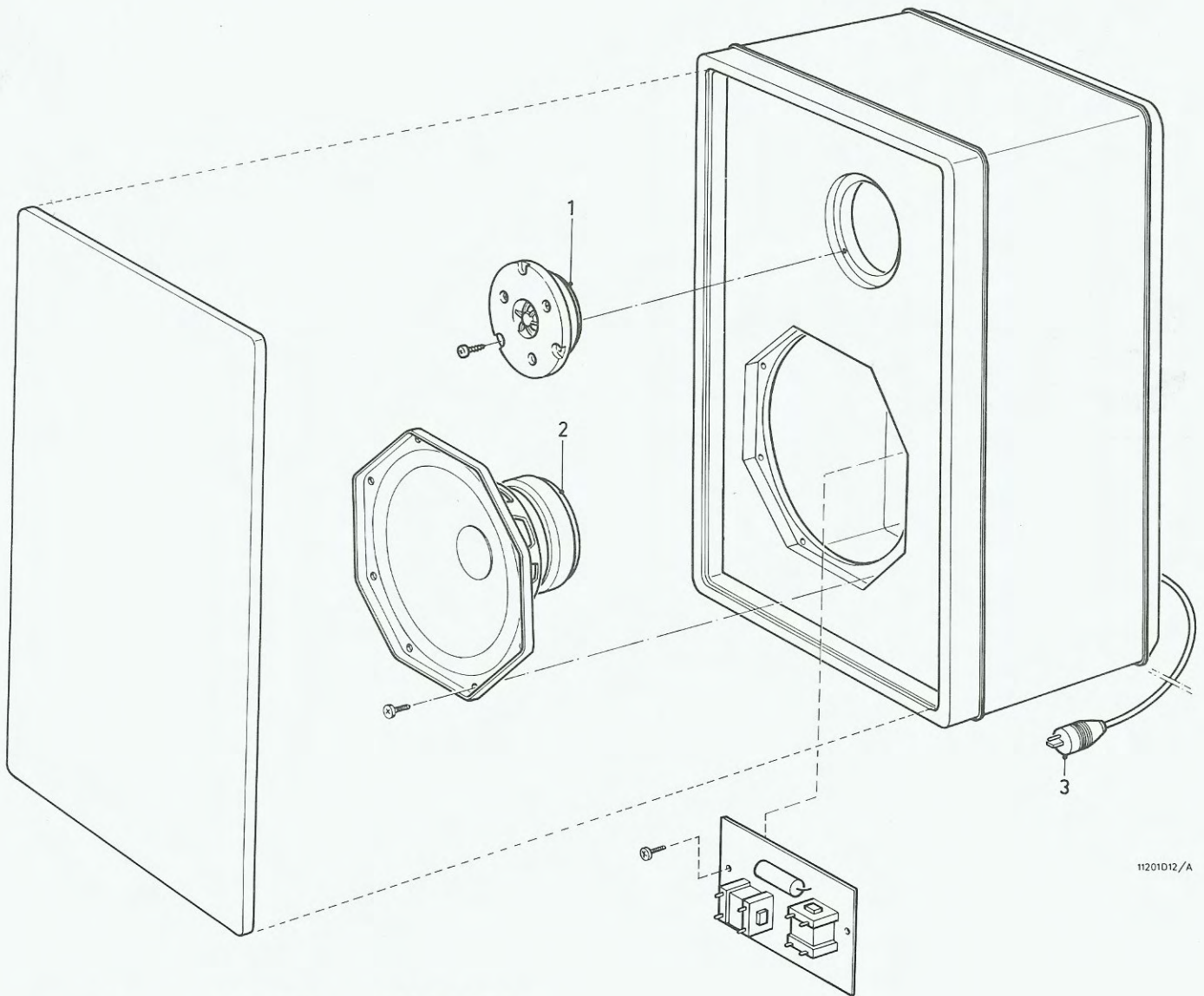
5799A



Cross-over frequency 3000 Hz  
Frequency de convergence



S			C		
					
426	0,2 mH	4822 157 30197	428	8 $\mu$ F - 25 V	4822 125 40102
427	0,5 mH	4822 152 10075			



- |   |      |             |                |
|---|------|-------------|----------------|
| 1 | S401 | AD 0140 T4: | 4822 240 70005 |
| 2 | S402 | AD 8061 W4: | 4822 240 60066 |
| 3 |      |             | 4822 264 30041 |

11201D12/A