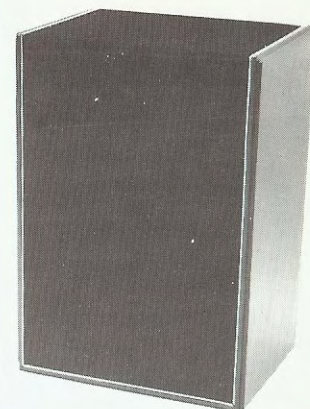


Service
Service
Service

This document was downloaded from
www.mfbfreaks.com
Collecting vintage Philips Audio and more!

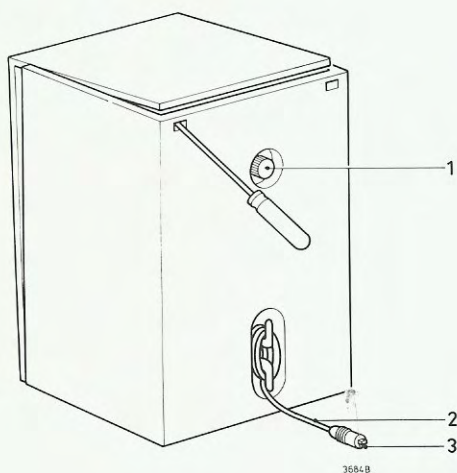


24 litres

3689A

Dimensions 430 x 290 x 230 mm

Service Manual



- ① 4822 413 40621
- ② 4822 322 20014
- ③ 4822 264 30041

- LS1 4822 240 60047
- LS2 4822 240 70003
- LS3 4822 240 70003
- C1 4822 124 20613
- R1 4822 103 20233

