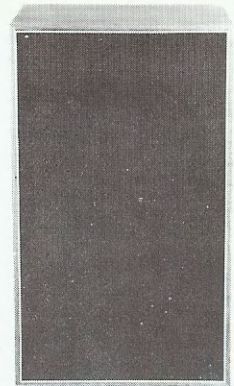


Hi-Fi LOUDSPEAKER BOX 5427

Service manual

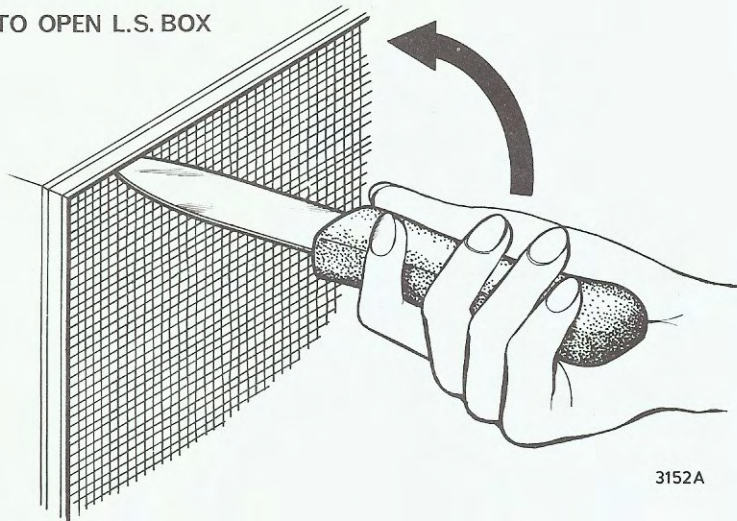


35 litres
332 x 610 x 246mm

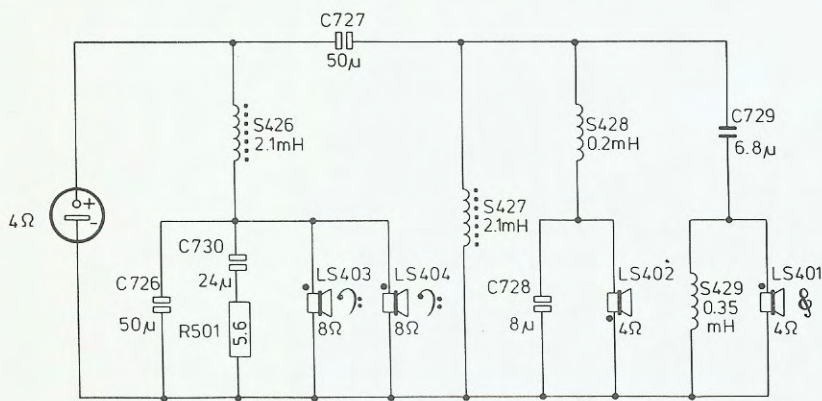
3097A

This document was downloaded from
www.mfbfreaks.com
Collecting vintage Philips Audio and more!

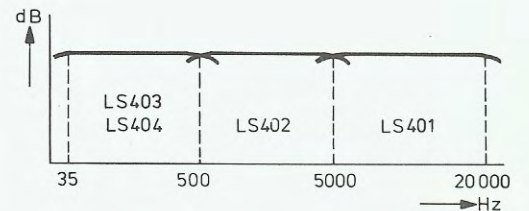
TO OPEN L.S. BOX



3152A



1839A



1971A

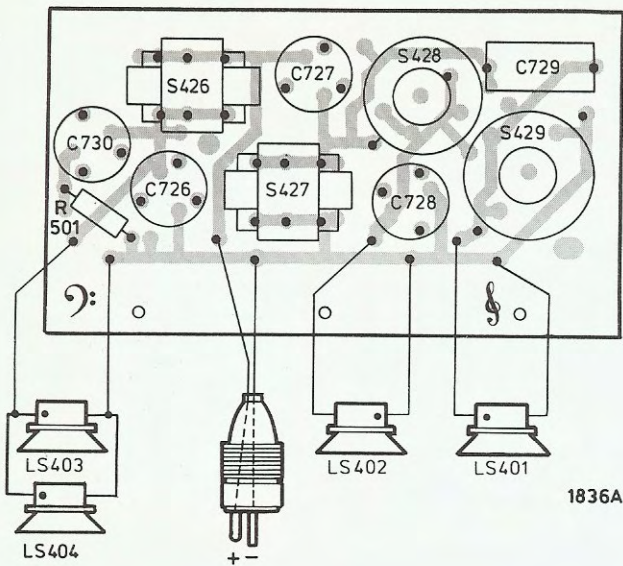


CS36916

Subject to modification

4822 726 11148

Printed in the Netherlands



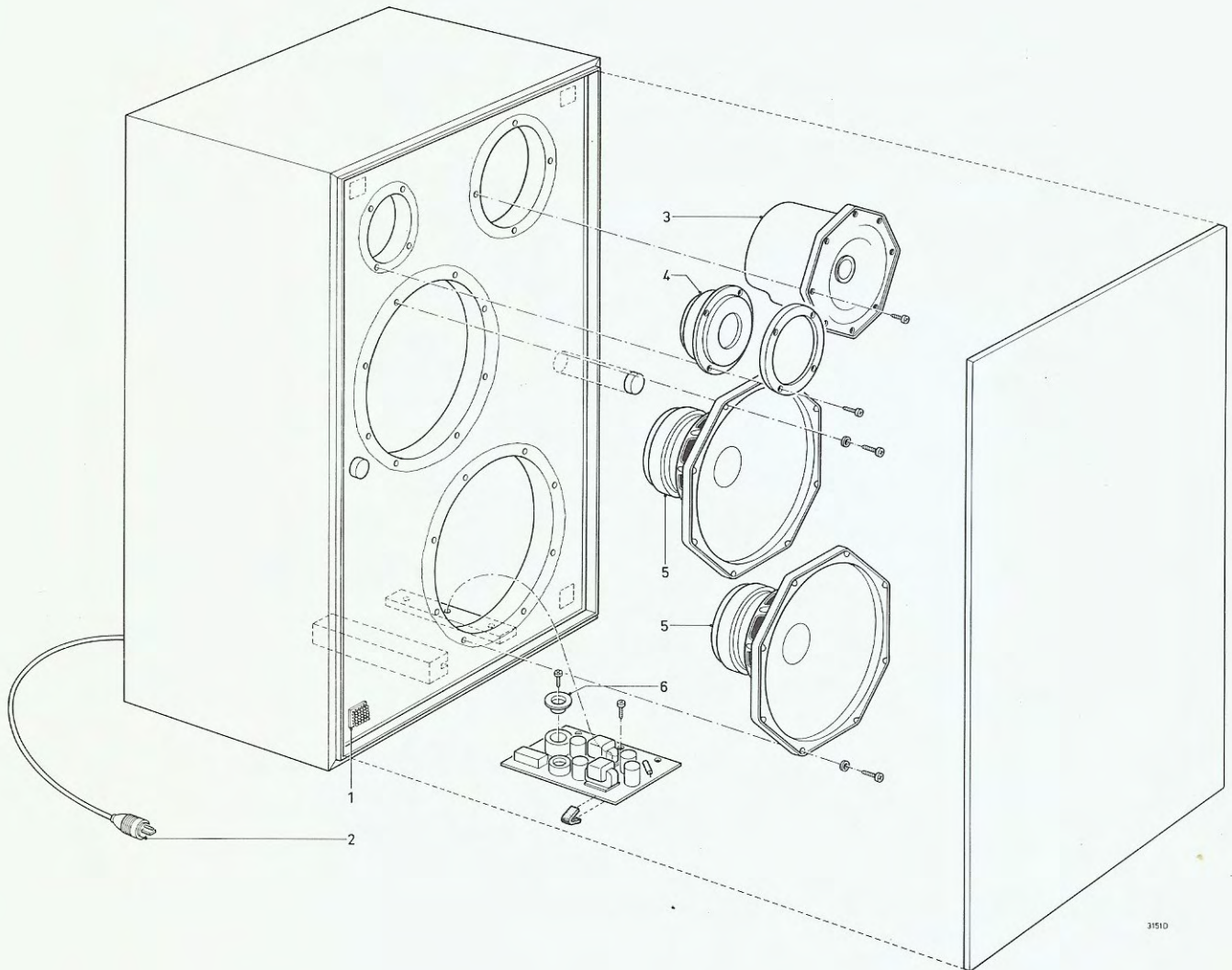
1836A

-S-		
S426	2.1 mH	4822 152 20479
S427	2.1 mH	4822 152 20479
S428	0.2 mH	4822 157 30197
S429	0.35 mH	4822 157 50595

-C-		
C726	50 μ F	4822 124 40091
C727	50 μ F	4822 124 40091
C728	8 μ F	4822 124 40102
C730	24 μ F	4822 124 40099

-C-		
C729	6.8 μ F	4822 121 40252

-R-		
R501	5.6 Ω	4822 112 20047



31510

1			4822 426 60055
2			4822 264 30041
3	LS401	4 Ω	4822 240 50089
4	LS402	4 Ω	4822 240 70003
5	LS403 LS404	8 Ω	4822 240 60023
6			4822 462 70531