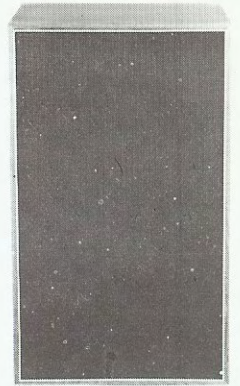


Service manual

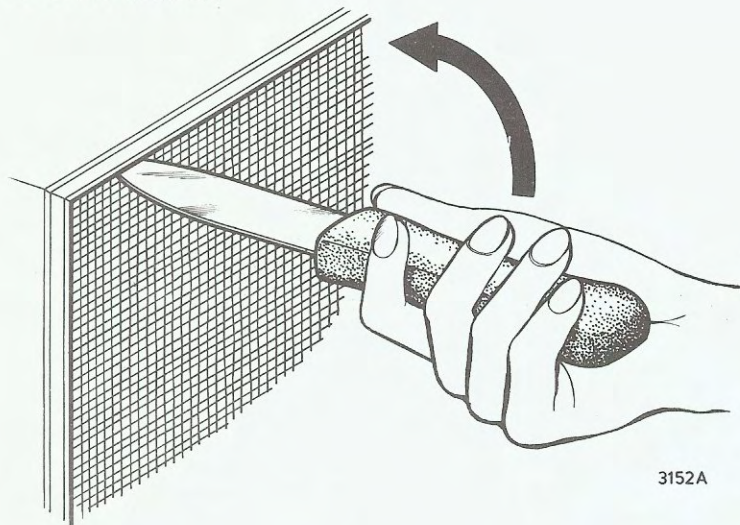


3097A

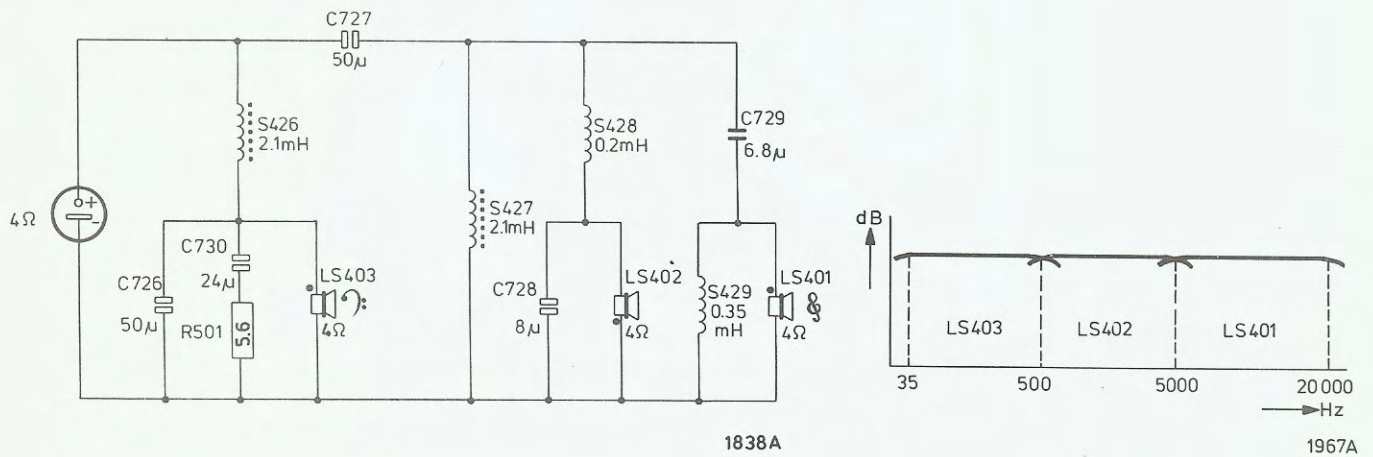
25 litres
293 x 538 x 227 mm

This document was downloaded from
www.mfbfreaks.com
Collecting vintage Philips Audio and more!

TO OPEN L.S. BOX



3152A



1838A

1967A

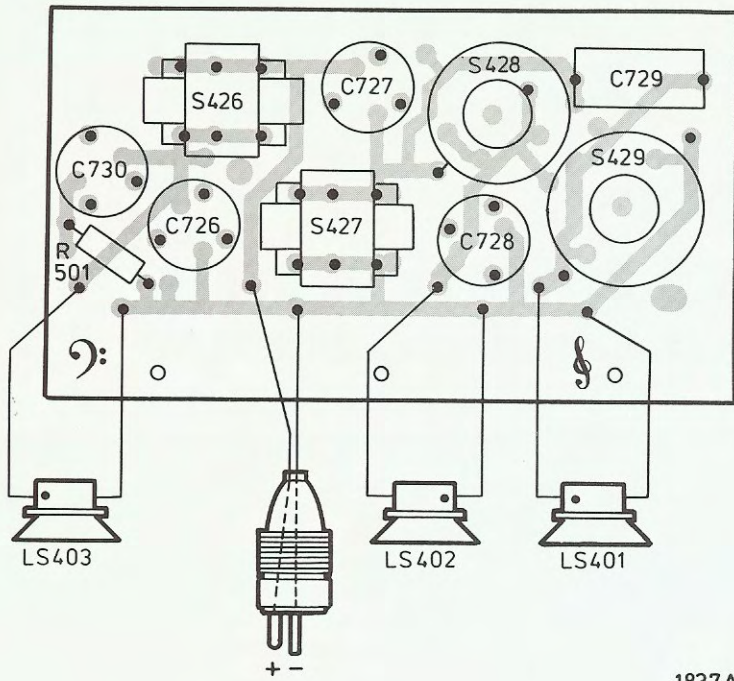



CS36951

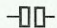
Subject to modification

4822 726 11149


Printed in the Netherlands



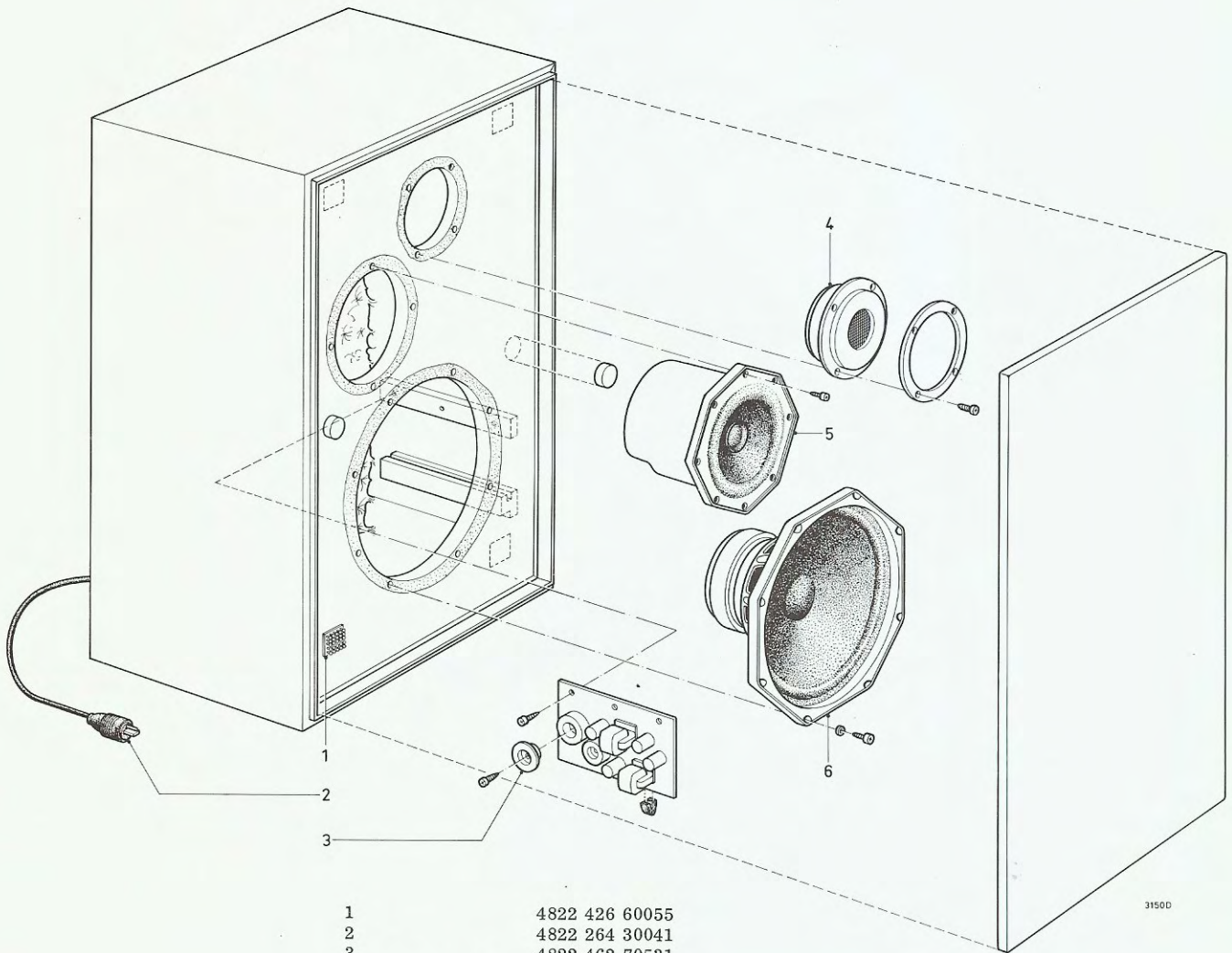
-S-		
S426	2.1 mH	4822 152 20479
S427	2.1 mH	4822 152 20479
S428	0.2 mH	4822 157 30197
S429	0.35 mH	4822 157 50595

-C-		
C726	50 μ F	4822 124 40091
C727	50 μ F	4822 124 40091
C728	8 μ F	4822 124 40102
C730	24 μ F	4822 124 40099

-C-		
C729	6.8 μ F	4822 121 40252

-R-		
R501	5.6 Ω	4822 112 20047

1837A



1		4822 426 60055
2		4822 264 30041
3		4822 462 70531
4	LS401 4 Ω	4822 240 70003
5	LS402 4 Ω	4822 240 50089
6	LS403 4 Ω	4822 240 60038

3150D