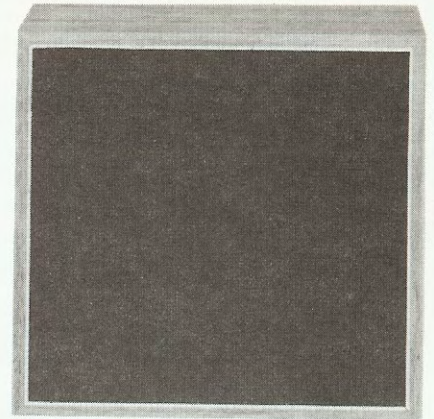


# Service manual

LS-box 5413/01



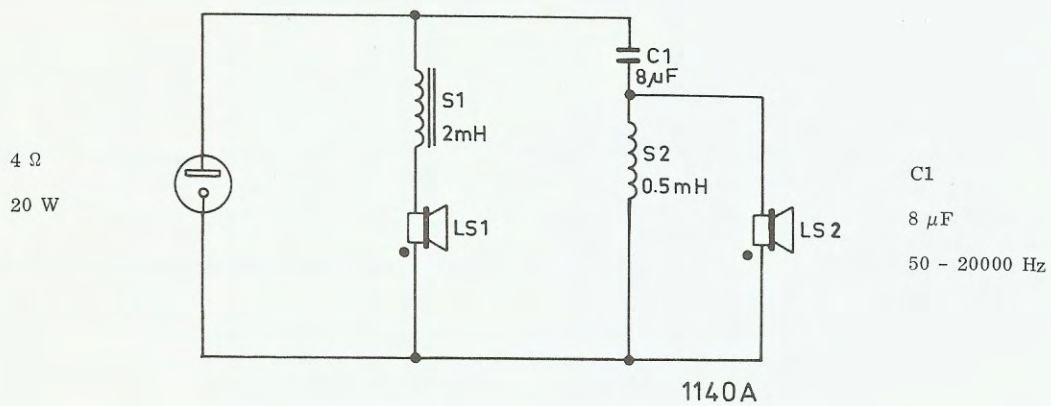
1145A

Dimensions 270 x 270 x 105

This document was downloaded from

[www.mfbfreaks.com](http://www.mfbfreaks.com)

Collecting vintage Philips Audio and more!



①	S2	0,5 mH	4822 152 10075
②	LS2	8 Ω	4822 240 70004
③	C1	8 μF	4822 124 70193
④	S1	2 mH	4822 152 20452
⑤			4822 404 60053
⑥	LS1	4 Ω	4822 240 50076
⑦			4822 264 30041

