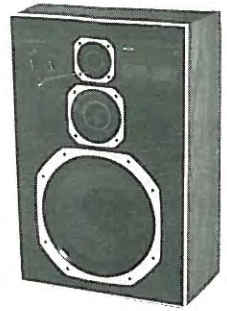


Service  
Service  
Service

Volume : 55 l  
 Dimensions : 650x440x272 mm  
 Weight : 18 kg  
 Rated impedance : 8 Ω  
 Power handling capacity : 100 W  
 Cross-over frequencies : 750-5.500 Hz  
 Resonance frequency : 53 Hz  
 Frequency range : 32 - 20.000 Hz



18386A2

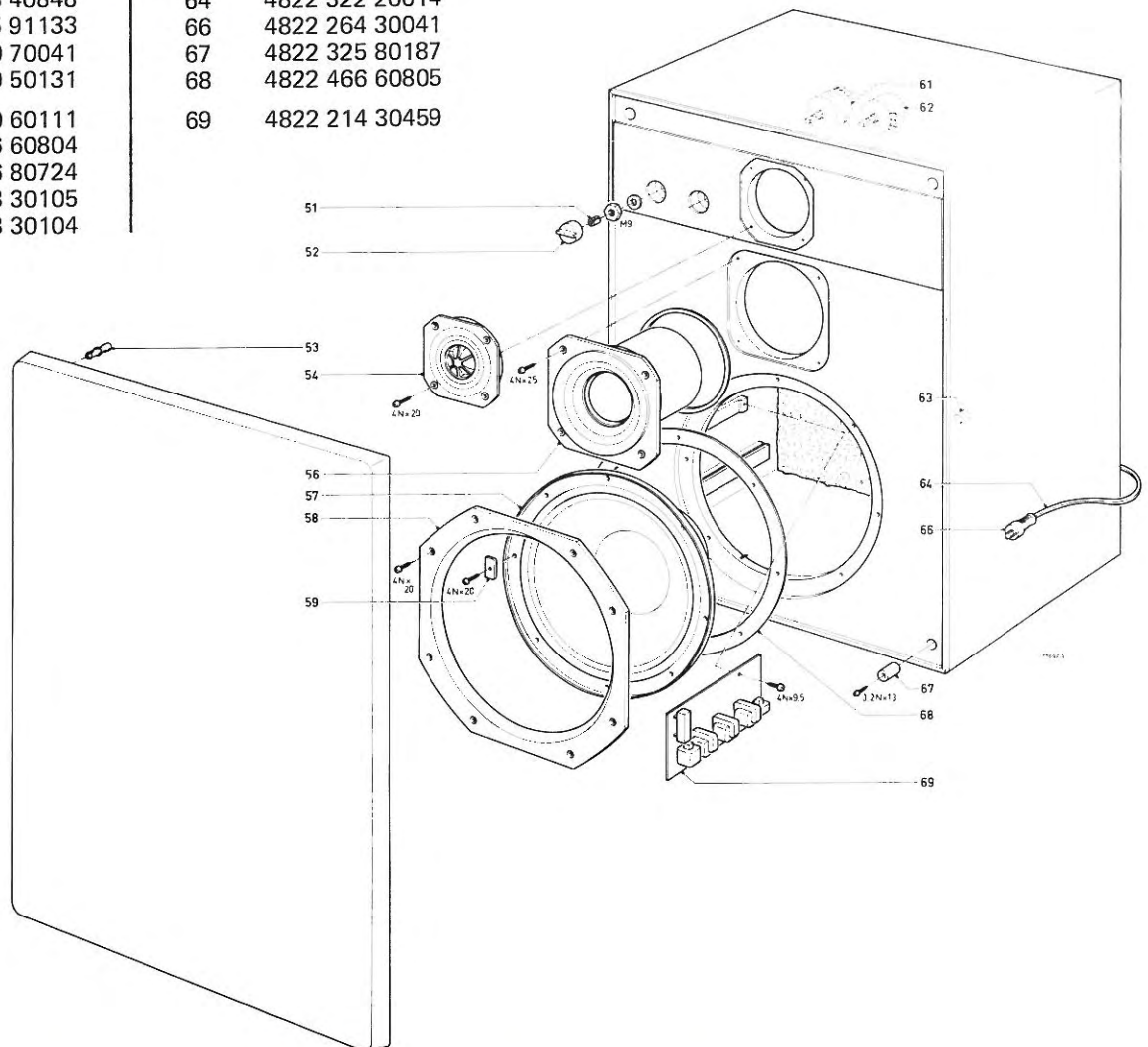
This document was downloaded from

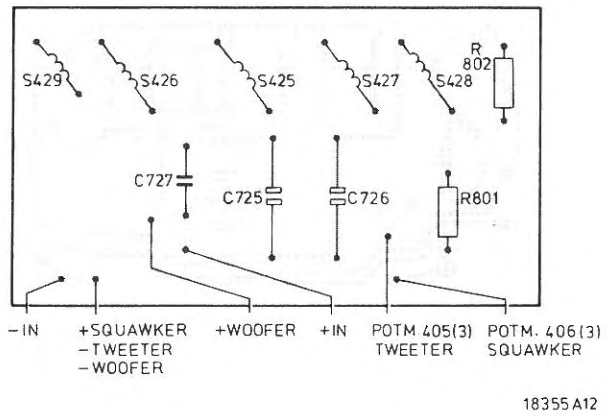
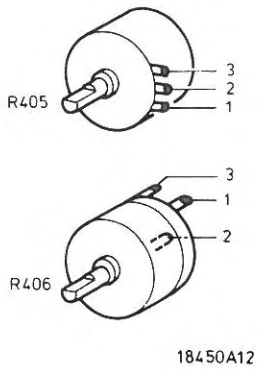
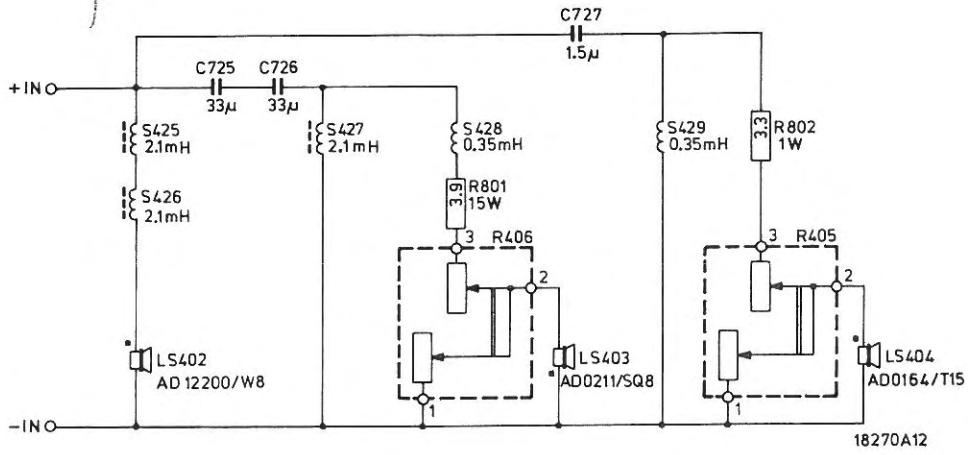
[www.mfbfreaks.com](http://www.mfbfreaks.com)

Collecting vintage Philips Audio and more!

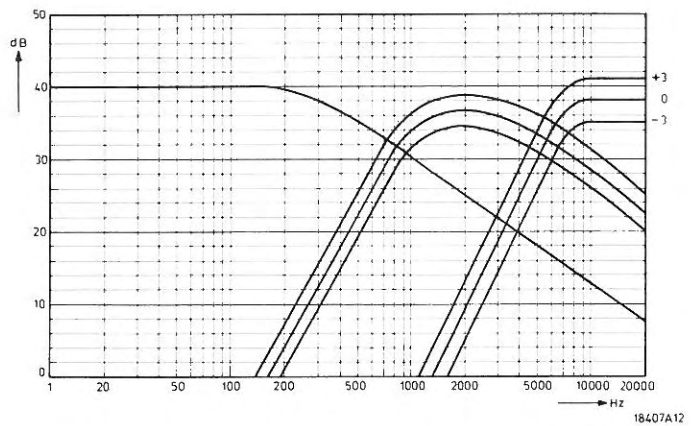
# Service Manual

- |    |                |    |                |
|----|----------------|----|----------------|
| 51 | 4822 492 60268 | 63 | 4822 325 60204 |
| 52 | 4822 413 40848 | 64 | 4822 322 20014 |
| 53 | 4822 535 91133 | 66 | 4822 264 30041 |
| 54 | 4822 240 70041 | 67 | 4822 325 80187 |
| 56 | 4822 240 50131 | 68 | 4822 466 60805 |
| 57 | 4822 240 60111 | 69 | 4822 214 30459 |
| 58 | 4822 466 60804 |    |                |
| 59 | 4822 466 80724 |    |                |
| 61 | 4822 103 30105 |    |                |
| 62 | 4822 103 30104 |    |                |





C725,726	4822 124 20754
C727	4822 121 40452
R801	4822 113 80237
R802	4822 110 23041
S425,426,427	4822 152 20486
S428	4822 157 50809
S429	4822 158 10393
LS402	4822 240 60111
LS403	4822 240 50131
LS404	4822 240 70041
	AD12200/W8
	AD02111/SQ8
	AD0164/T15



Please adapt the polarity indication for the squawker and the tweeter in the drawings of the Service Manual.  
See Figures 1 and 2.

A frontcover is added, code number 4822 464 90074.

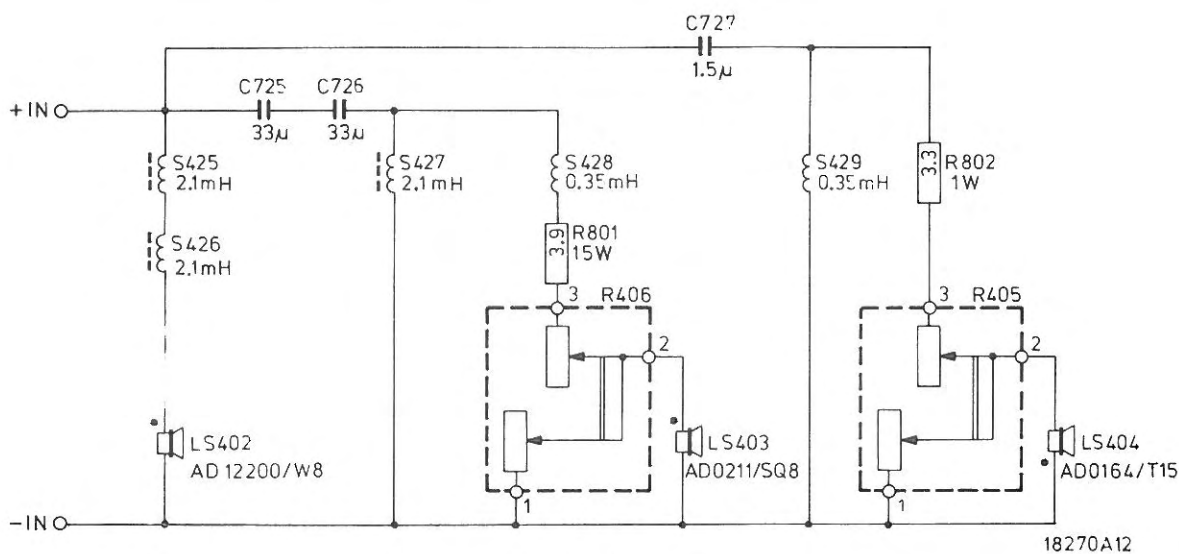


Fig. 1

18270A12

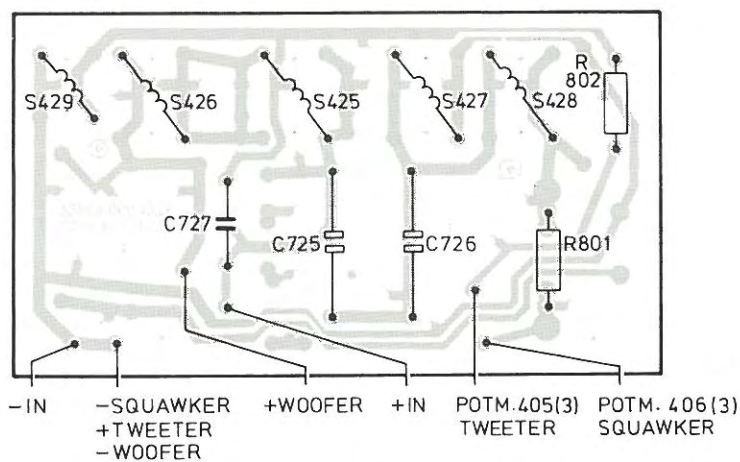


Fig. 2

18355A12

As from PL02 ... resistor 801,  $3E9 \Omega$  - 15 W, codenumber 4822 113 80237, has been changed to  $2E2 \Omega$  - 7 W, codenumber 4822 113 80266.

Resistor 802,  $3E3 \Omega$ , codenumber 4822 110 23041 has been changed to  $1E5 \Omega$ , codenumber 4822 110 43032.

Clamping grommet 4822 325 80187 has been replaced by grommet 4822 325 80192.

*Note:*

If replacement of clamping grommet is required, always mount a grommet identical to the remaining three or replace all four grommets by new ones !