

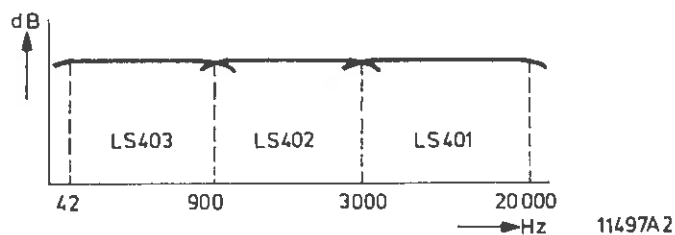
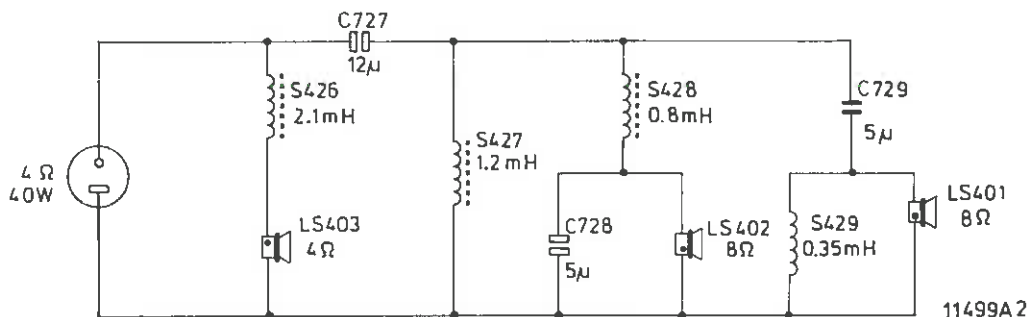
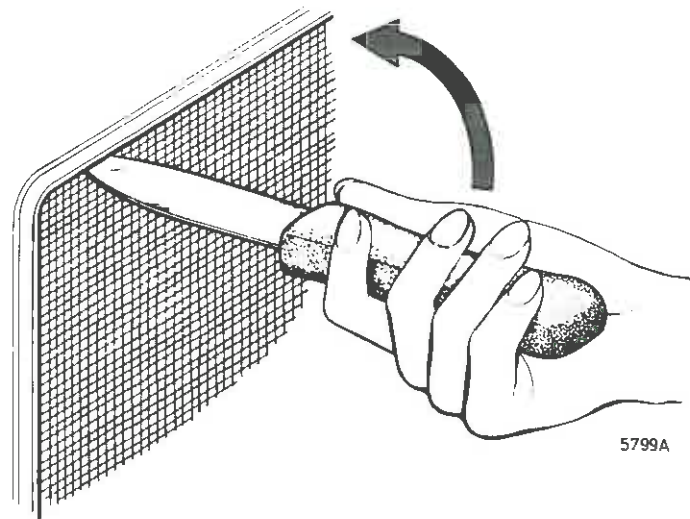
Service
Service
Service



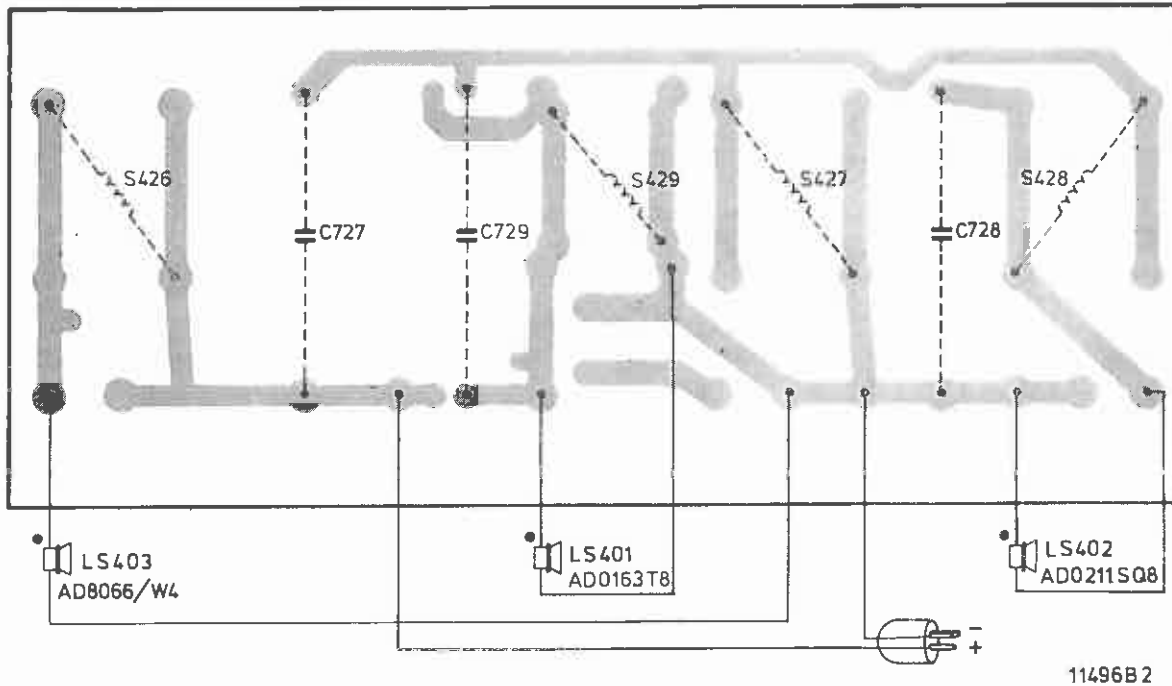
This document was downloaded from
www.mfbfreaks.com 22 litres
 480x320x255 mm
 Collecting vintage Philips Audio and more!

Service Manual

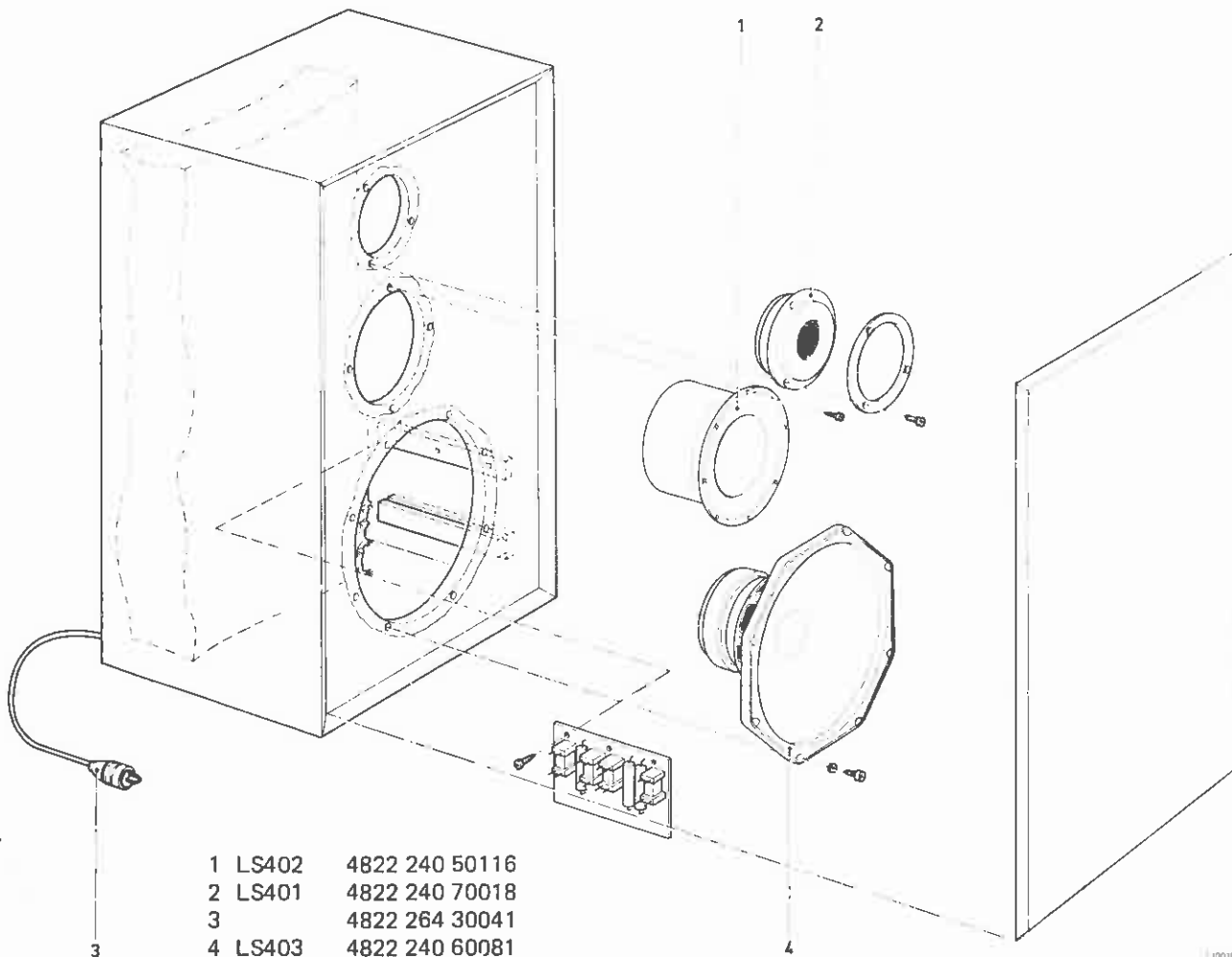
TO OPEN LS-BOX



-S-			-C-		
S426	2.1 mH	4822 152 10084	C727	Elco 12 μ F	4822 124 40145
S427	1.2 mH	4822 152 10083	C728	Elco 5 μ F	4822 124 40147
S428	0.8 mH	4822 157 50816	C729		
S429	0.35 mH	4822 158 10393			



11496B2



- 1 LS402 4822 240 50116
- 2 LS401 4822 240 70018
- 3 4822 264 30041
- 4 LS403 4822 240 60081

1001010