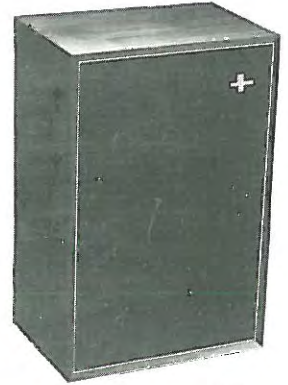


Service  
Service  
Service

This document was downloaded from

[www.mfbfreaks.com](http://www.mfbfreaks.com)

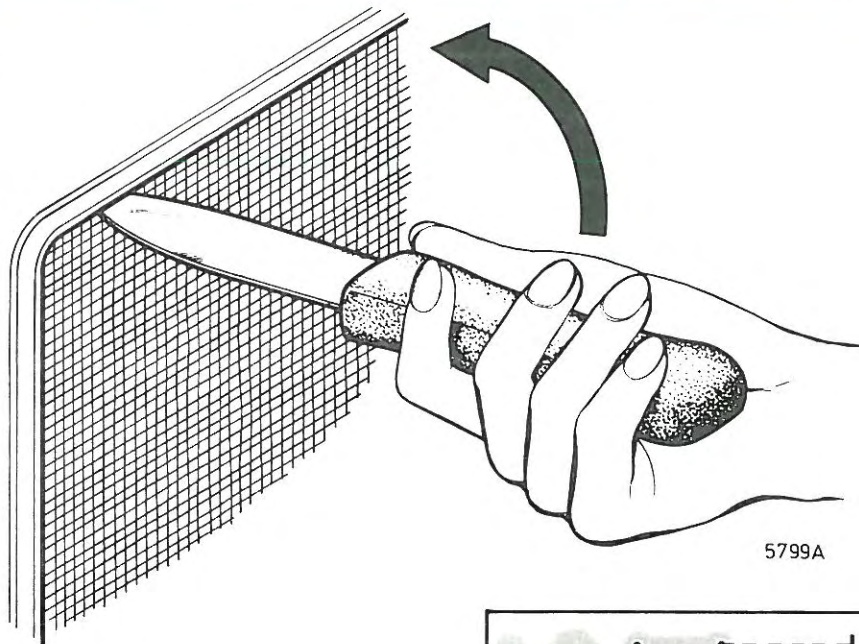
Collecting vintage Philips Audio and more!



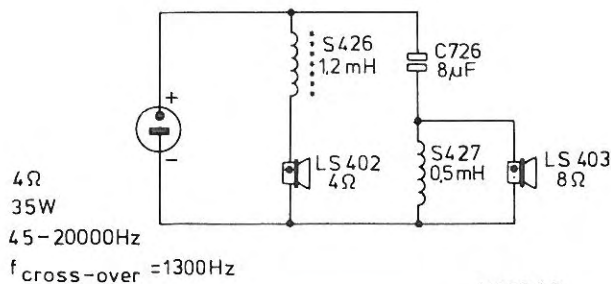
15 litres  
415x265x210 mm

# Service Manual

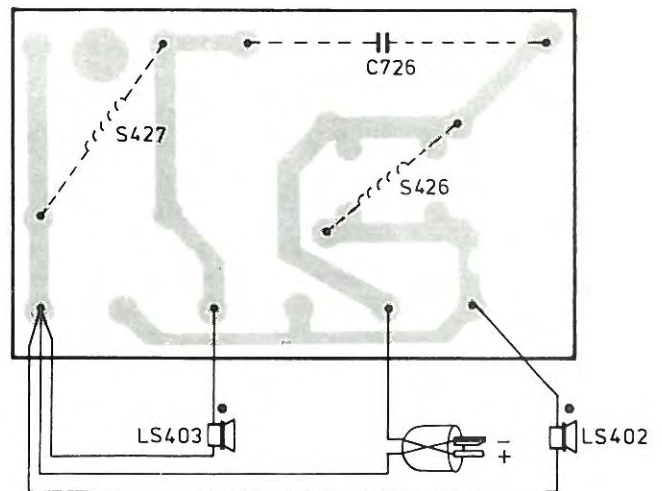
TO OPEN LS-BOX



5799A



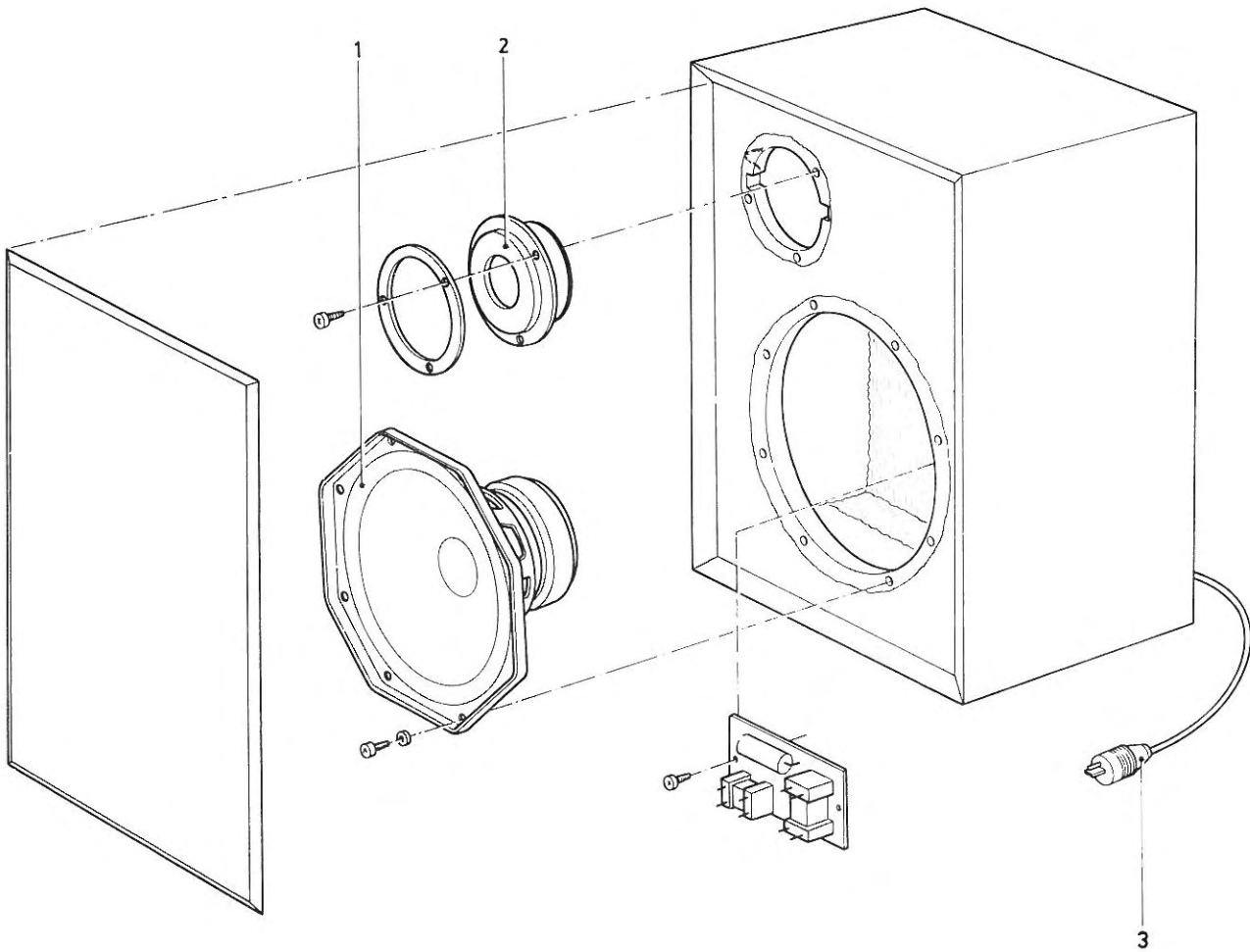
11498A2



11502A2



-S-	-C-
S426 1.2 mH 4822 152 10083 S427 0.5 mH 4822 156 10427	C726 8 $\mu$ F 4822 124 40141



- 1 LS402 4822 240 60081
- 2 LS403 4822 240 70018
- 3 4822 264 30041

13002D10