

15547D10

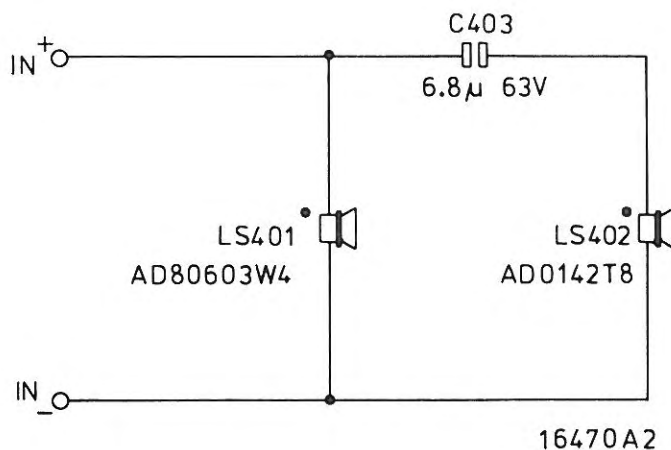
- |    |                |             |
|----|----------------|-------------|
| 51 | 4822 240 70029 | — AD0142T15 |
| 52 | 4822 124 20747 |             |
| 53 | 4822 240 60094 | — AD80603W8 |
| 54 | 4822 466 90885 |             |
| 56 | 4822 535 91104 |             |
| 57 | 4822 462 40364 |             |
| 58 | 4822 325 60204 |             |
| 59 | 4822 532 51076 |             |
| 61 | 4822 322 20014 | — 100 m     |
| 63 | 4822 264 30041 |             |

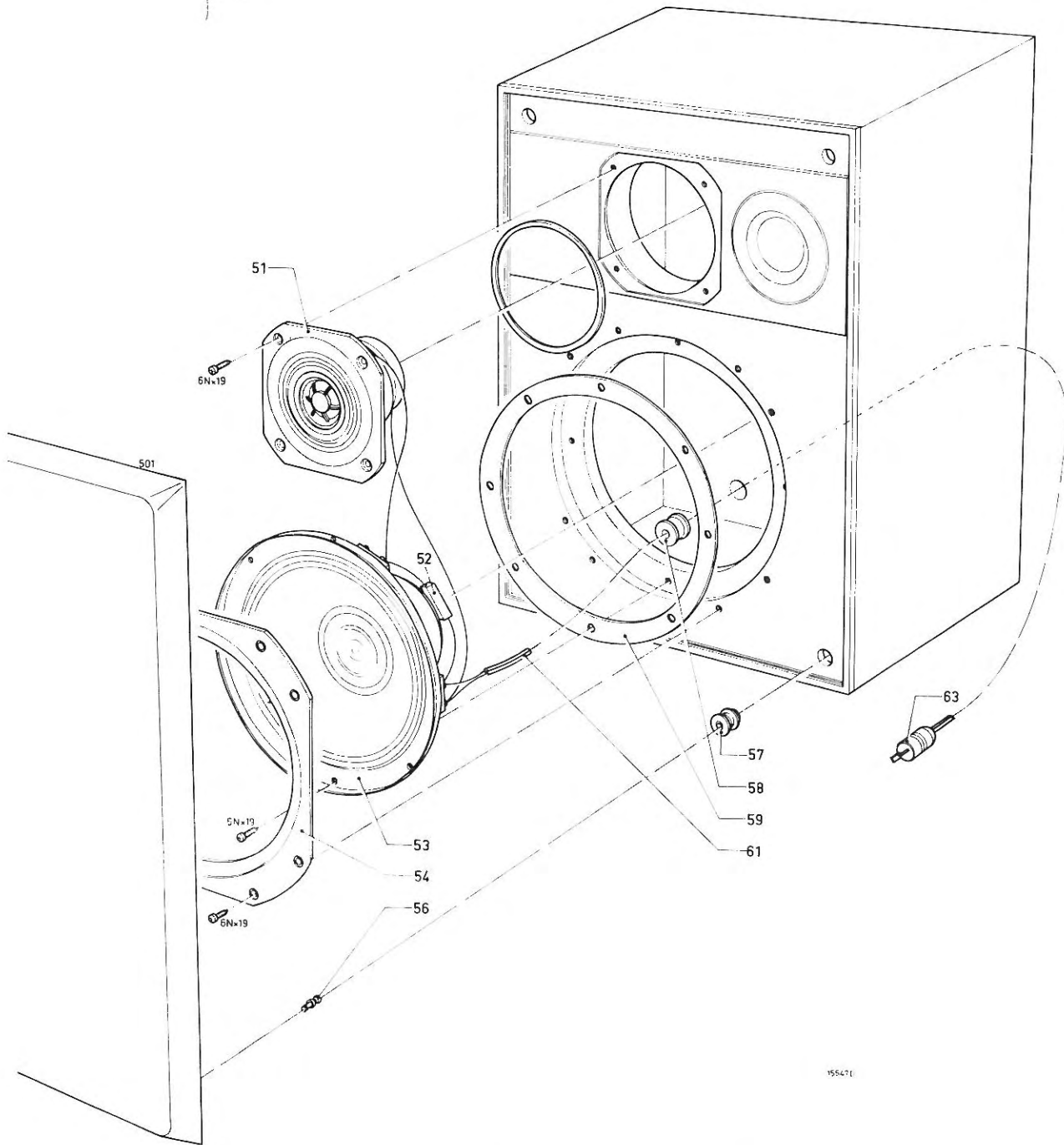
Service  
Service  
Service



# Service Manual

|   |                  |  |                  |
|---|------------------|--|------------------|
| Volume<br>Volume                              | : 17 litres      | Cross-over frequencies<br>Frequencies de convergence | : 3000 Hz        |
| Dimensions<br>Dimensions                      | : 437x285x180 mm | Resonance frequency<br>Fréquence de résonance        | : 18 - 88 Hz     |
| Weight<br>Poids                               | : 5.6 kg         | Frequency range<br>Réponse de fréquence              | : 42 - 20.000 Hz |
| Rated impedance<br>Impédance nominale         | : 4 Ω            | Slope: High-pass<br>Pente: Passe-haut                | 6 dB/oct.        |
| Power handling capacity<br>Capacité de charge | : 40 W           |  |                  |





- |    |                            |
|----|----------------------------|
| 51 | 4822 240 70028 - AD0142T8  |
| 52 | 4822 124 20749             |
| 53 | 4822 240 60102 - AD80603W4 |
| 54 | 4822 466 90885             |
| 56 | 4822 535 91104             |
| 57 | 4822 462 40364             |
| 58 | 4822 325 60204             |
| 59 | 4822 532 51076             |
| 61 | 4822 322 20014 - 100 m     |
| 63 | 4822 264 30041             |

From change code PL01 the tweeter for the 22AH483/01 and the 22AH483/29 has been changed from AD0142/T8 to AD0142/T4. Code number 4822 240 70034.

From change code PL01 the tweeter for the 22AH483/00 and the 22AH483/28 has been changed from AD0142/T15 to AD0142/T8. Code number 4822 240 70028.

The bip. electrolytic capacitor 403 will be changed from 3,3  $\mu\text{F}$  63 V to 4,7  $\mu\text{F}$  63 V. Code number 4822 124 20748.

The change of electrolytic capacitor 403 only applies to the 22AH483/00 and the 22AH483/28.

Reason : improvement of spectrum pressure level.

