

8 inch HIGH POWER WOOFER LOUDSPEAKER

APPLICATION

For high fidelity reproduction in sealed acoustic enclosures. Maximum enclosure volume 25 litres. Maximum recommended cross-over frequency 2000 Hz.
Rated frequency range 30 to 5 000 Hz.

TECHNICAL DATA

	version		
	W4	W8	
Rated impedance	4	8	Ω
Voice coil resistance	4,3	8	Ω
Resonance frequency	42	42	Hz
Power handling capacity, measured without filter, mounted in 25 l sealed enclosure	30	30	W
Operating power	3,4	3,4	W
Sweep voltage	5	7	V
Energy in air gap	135	140	mJ
Flux density	0,87	0,93	T
Air-gap height	5	5	mm
Voice coil height	11	11	mm
Core diameter	25	25	mm
Magnet material	FXD	FXD	
diameter	72	72	mm
mass	0,26	0,26	kg
Mass of loudspeaker	0,8	0,8	kg

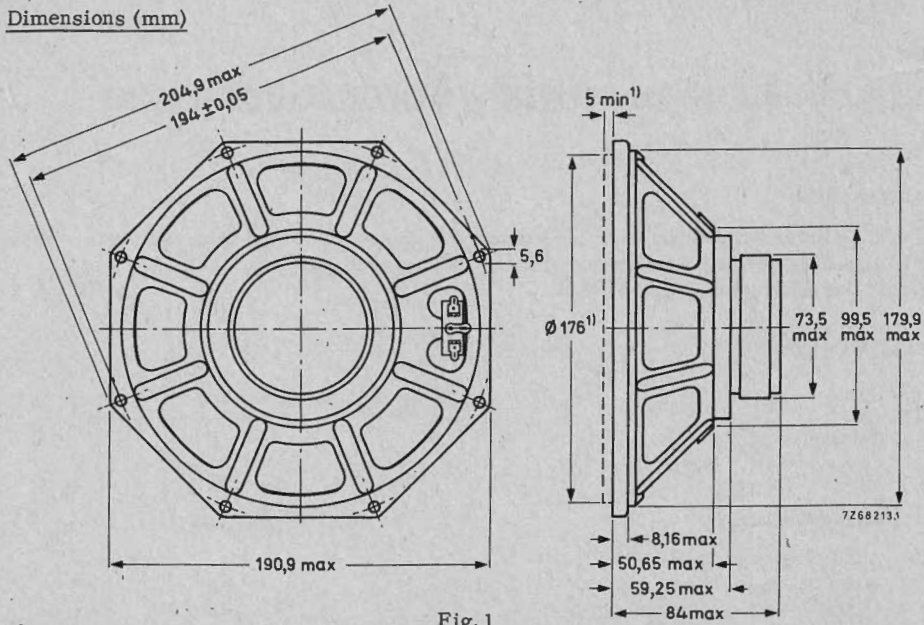
The loudspeaker has a rubber surround.

Connection to the loudspeaker by means of 6,3 mm(0,25 inch) Fastons or soldering.

AD8061/W.

8 inch HIGH POWER WOOFER
LOUDSPEAKER

Dimensions (mm)



1) Baffle hole and clearance depth required for cone movement at the specified power handling capacity.

One tag is indicated by a red mark for in-phase connection.

AVAILABLE VERSIONS

AD8061/W4, catalogue number 2422 257 384.5

AD8061/W8, catalogue number 2422 257 384.6

(0 = stamped on loudspeaker magnet,
not to be used for ordering)

2 = for bulk packing *)
6 = for single unit packing

FREQUENCY RESPONSE CURVES

See Fig. 2

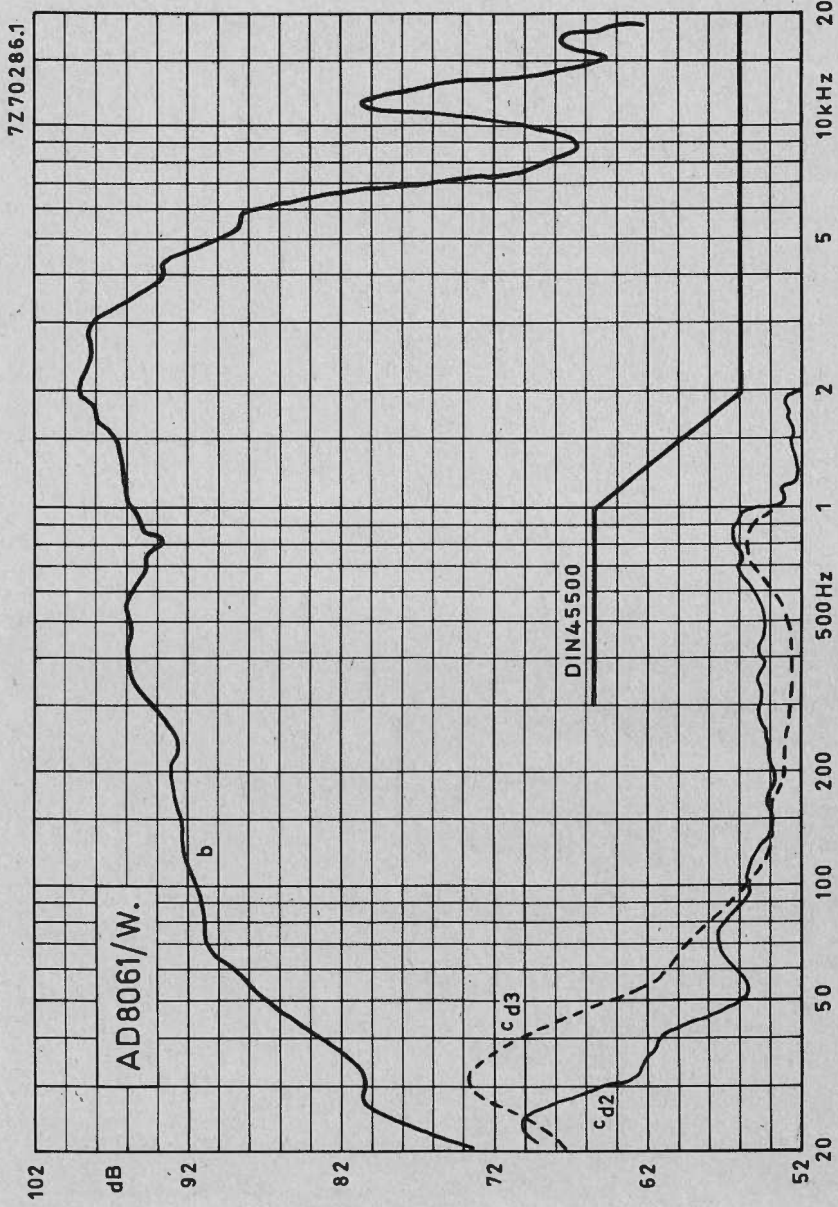
Curve b: Sound pressure measured in anechoic room at operating power. Loudspeaker mounted in sealed 80 l enclosure, filled with 1 kg of glass wool.

Curve c: 2nd and 3rd harmonic distortion, measured at the operating power of 3, 4 W in anechoic room, loudspeaker mounted in 80 l enclosure, filled with 1 kg of glass wool.

*) Minimum packing quantity 3 per unit.

8 inch HIGH POWER WOOFER
LOUDSPEAKER

AD8061/W.



7Z70286.1

AD8061/W.

DIN45500

Fig.2

